

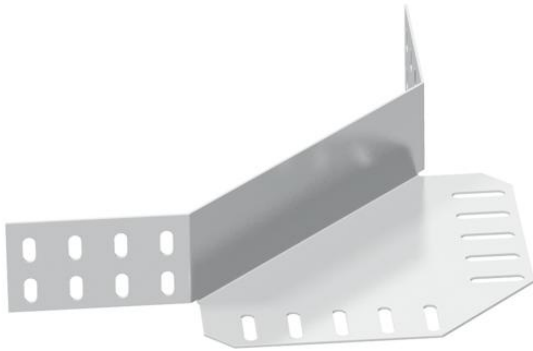
Technical data sheet

Corner connector 60 A2

Item number: 6068022



Corner connector for cable trays with side height 60 mm.
Fastening materials should be ordered separately.



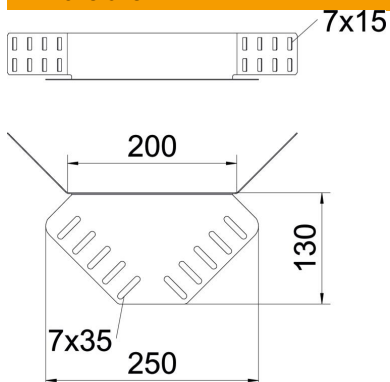
A2 Stainless steel

2B Bright, treated

Master data

Item number	6068022
Type	REV 60 A2
Description 1	Corner connector
Description 2	for cable tray
Manufacturer	OBO
Material	Stainless steel
Surface	Bright, treated
Surface standard	
Smallest sales unit	5
Unit of quantity	Piece
Weight	32 kg
Weight unit	kg/100 pc.

Dimensions



Dimension	240 x 130
Length	240 mm
Width	400 mm
Height	55 mm
Height	2 in
Plate thickness	1.25 mm

Technical data sheet

Corner connector 60 A2

Item number: 6068022



Technical data

Version for	Corner connector
Maintain electrical functions	no
Suitable for mesh cable tray	no
Suitable for cable ladder	no
Suitable for cable tray	yes
Suitable for cable tray system height	60 mm
Adjustable connector, horizontal	no
Articulated connector, vertical	no
Rustproof steel, pickled	no
Connection type	Screw connector
Wide-span version	no