

Technical data sheet

90° bend 60 A2

Item number: 7134138



90° bend, horizontal, for all cable tray types of 60 mm side height.
The 100 mm width has a rectangle shape and does not correspond to the image.
The fitting is shipped in an unmounted state.
Including appropriate fastening material.



A2 Stainless steel

2B Bright, treated

Master data

Item number	7134138
Type	RB 90 630 A2
Description 1	90° bend
Description 2	horizontal + angle connector
Manufacturer	OBO
Dimension	60x300
Material	Stainless steel
Surface	Bright, treated
Surface standard	
Smallest sales unit	1
Unit of quantity	Piece
Weight	166.6 kg
Weight unit	kg/100 pc.

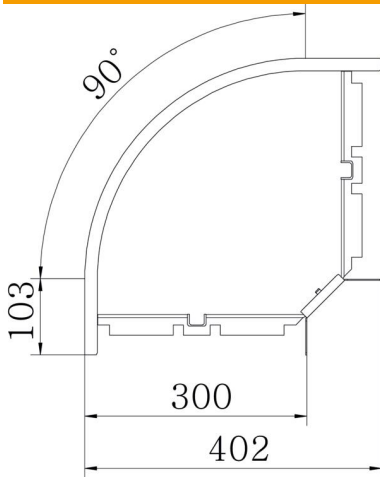
Technical data sheet

90° bend 60 A2

Item number: 7134138



Dimensions



Width	300 mm
Width	12 in
Height	60 mm
Height	2 in
Plate thickness	1 mm
Dimension B	300 mm
Dimension R	50 mm

Technical data

Bend (angle)	90°
Connector version	Supplied connectors
Maintain electrical functions	no
Mounting perforation in base	no
NATO hole pattern	no
Change of direction	Horizontal
Rustproof steel, pickled	no
Side perforation	no
Wide-span version	no
Type of connector, cable support system	Screwed