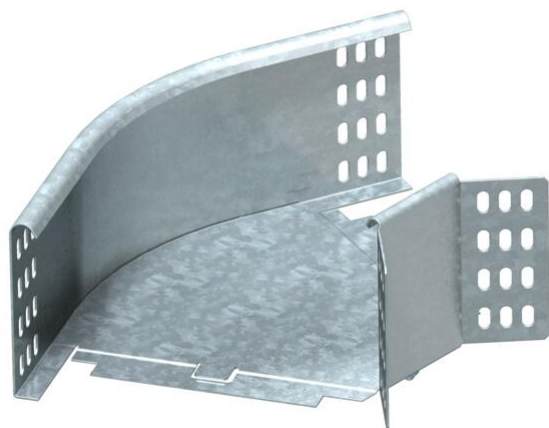


Technical data sheet

45° bend 110 FS

Item number: 7000677



45° bend, horizontal, for all cable tray types of 110 mm side height.
The fitting is shipped in an unmounted state. The WKV 110 angle connector is designed for 90° bends and can be adjusted to 45° on site.
Including appropriate fastening material.



St Steel

FS Strip galvanized

Master data

| | |
|---------------------|------------------------------|
| Item number | 7000677 |
| Type | RB 45 130 FS |
| Description 1 | 45° bend |
| Description 2 | horizontal + angle connector |
| Manufacturer | OBO |
| Dimension | 110x300 |
| Material | Steel |
| Surface | Strip galvanized |
| Surface standard | DIN EN 10346 |
| Smallest sales unit | 1 |
| Unit of quantity | Piece |
| Weight | 135 kg |
| Weight unit | kg/100 pc. |

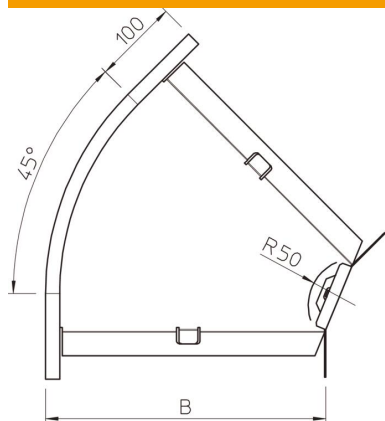
Technical data sheet

45° bend 110 FS

Item number: 7000677



Dimensions



| | |
|-------------|--------|
| Width | 300 mm |
| Width | 12 in |
| Height | 110 mm |
| Height | 4 in |
| Dimension B | 300 mm |
| Dimension R | 50 mm |

Technical data

| | |
|---|---------------------|
| Bend (angle) | 45° |
| Connector version | Supplied connectors |
| Maintain electrical functions | no |
| Mounting perforation in base | no |
| NATO hole pattern | no |
| Change of direction | Horizontal |
| Rustproof steel, pickled | no |
| Side perforation | no |
| Wide-span version | no |
| Type of connector, cable support system | Screwed |