

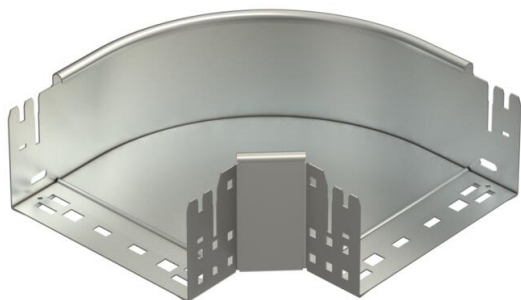
Technical data sheet

90° Magic bend 110 A2

Item number: 6041882



90° bend with quick connector system. For all cable tray types of 110 mm side height.



A2 Stainless steel

2B Bright, treated

Master data

| | |
|---------------------|----------------------|
| Item number | 6041882 |
| Type | RBM 90 120 A2 |
| Description 1 | 90° bend |
| Description 2 | with quick connector |
| Manufacturer | OBO |
| Dimension | 110x200 |
| Material | Stainless steel |
| Surface | Bright, treated |
| Surface standard | |
| Smallest sales unit | 1 |
| Unit of quantity | Piece |
| Weight | 154.9 kg |
| Weight unit | kg/100 pc. |

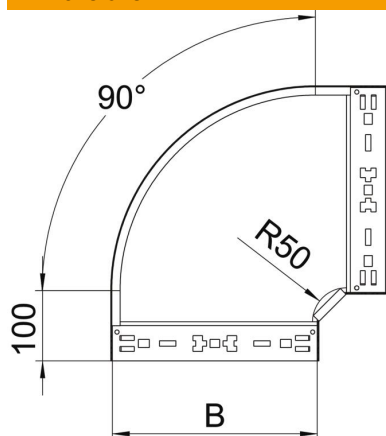
Technical data sheet

90° Magic bend 110 A2

Item number: 6041882



Dimensions



| | |
|-----------------|---------|
| Width | 200 mm |
| Height | 110 mm |
| Plate thickness | 1.25 mm |
| Dimension B | 200 mm |

Technical data

| | |
|---|----------------------|
| Bend (angle) | 90° |
| Connector version | Integrated connector |
| Maintain electrical functions | no |
| Mounting perforation in base | no |
| NATO hole pattern | no |
| Change of direction | Horizontal |
| Rustproof steel, pickled | no |
| Side perforation | no |
| Wide-span version | no |
| Type of connector, cable support system | Click fastening |