

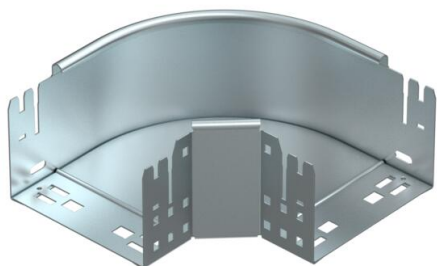
Technical data sheet

90° Magic bend 110 FS

Item number: 6041841



90° bend with quick connector system. For all cable tray types of 110 mm side height.



St Steel

FS Strip galvanized

Master data

Item number	6041841
Type	RBM 90 115 FS
Description 1	90° bend
Description 2	with quick connector
Manufacturer	OBO
Dimension	110x150
Material	Steel
Surface	Strip galvanized
Surface standard	DIN EN 10346
Smallest sales unit	1
Unit of quantity	Piece
Weight	121 kg
Weight unit	kg/100 pc.

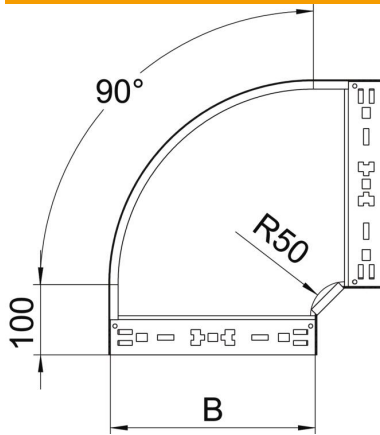
Technical data sheet

90° Magic bend 110 FS

Item number: 6041841



Dimensions



Width	150 mm
Height	110 mm
Plate thickness	1.25 mm
Dimension B	150 mm

Technical data

Bend (angle)	90°
Connector version	Integrated connector
Maintain electrical functions	no
Mounting perforation in base	no
NATO hole pattern	no
Change of direction	Horizontal
Rustproof steel, pickled	no
Side perforation	no
Permitted temperature range, max.	120 °C
Permitted temperature range, min.	-20 °C
Wide-span version	no
Type of connector, cable support system	Click fastening