

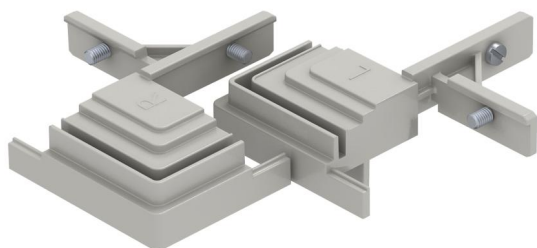
Technical data sheet

Construction set for trunking T branch and intersection

Item number: 7424821



For the construction-side creation of a trunking junction as a 90° angle, T-piece or crossing. A flushfloor end cover is also required for the creation of a 90° angle (order separately). Suitable for the OKA-G and OKA-W trunking systems.



Zn Die-cast zinc

Master data

Item number	7424821
Type	OKA FB2 TX
Description 1	T and intersection fitting set
Description 2	for OKA-G and OKA-W
Manufacturer	OBO
Material	Die-cast zinc
Smallest sales unit	1
Unit of quantity	Piece
Weight	24.8 kg
Weight unit	kg/100 pc.

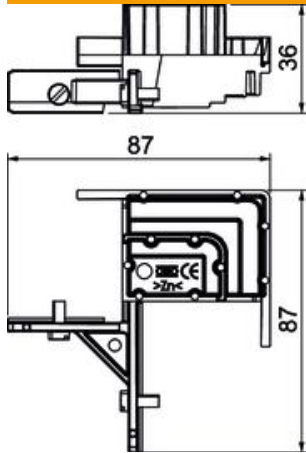
Technical data sheet

Construction set for trunking T branch and intersection



Item number: 7424821

Dimensions



Length	87 mm
Width	87 mm
Height	36 mm

Technical data

Mounting opening cover	no
Floor plate	no
Cover fastening, locking	no
Seal installation option	no
Installation opening for on-floor tank	no
Decouplable	no
Function	Branch
Suitable for expansion joint	no
Suitable for screed-flush closed underfloor ducts	no
Suitable for flushfloor, open underfloor trunking	no
Suitable for screed-covered underfloor ducts	no
Minimum screed height	40
With connection opening	no
With equipotential bonding	no
With separating retainer	no
With overhang	yes
Height-adjustment range, min.	0 mm
Removable cover	no