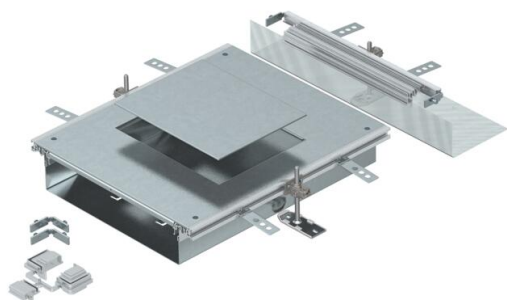


# Technical data sheet

Extension unit for GES6, height 60–110 mm

Item number: 7424902



Ready-to-mount trunking extension unit with a device installation lid for the installation of a flush-mount unit of nominal size 6, consisting of the trunking base (floor trough with side and floor covering contact profiles), trunking lid with blank mounting opening and a flushfloor end cover. The scope of delivery contains 3 height-adjustable fixing brackets, 3 screed anchors, 1 lid butt support and 1 construction set for 90° angle.

Size of the mounting unit suitable for the installation of a rectangular installation unit of nominal size 6.



**St** Steel

**FS** Strip galvanized

## Master data

Item number	7424902
Type	OKA-W A 6050 6
Description 1	Extension unit
Description 2	for OKA-W
Manufacturer	OBO
Material	Steel
Surface	Strip galvanized
Surface standard	DIN EN 10346
Smallest sales unit	1
Unit of quantity	Piece
Weight	922 kg
Weight unit	kg/100 pc.

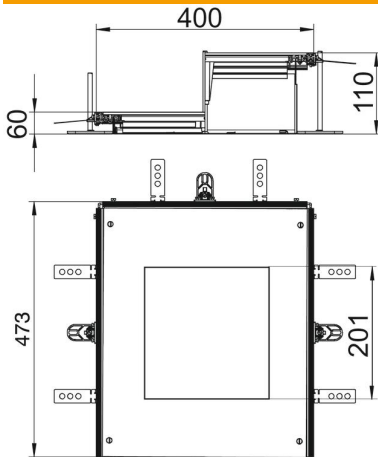
# Technical data sheet

Extension unit for GES6, height 60–110 mm

Item number: 7424902



## Dimensions



Length	473 mm
Width	400 mm
Dimension a	201 mm
Dimension A	400 mm
Dimension b	253 mm
Dimension h	60 mm

## Technical data

Mounting opening cover	yes
Covers	1
Number of mounting openings	1
Cover fastening, locking	no
Seal installation option	yes
Installation opening for on-floor tank	no
Installation opening for flush-mount unit	Rectangular
Decouplable	no
Suitable for expansion joint	no
Suitable for screed-flush closed underfloor ducts	no
Suitable for flushfloor, open underfloor trunking	yes
Suitable for screed-covered underfloor ducts	no
Trunking height, max.	110 mm
Duct height, min.	60 mm
Cover material thickness	4
Minimum screed height	60
With connection opening	yes
With equipotential bonding	no
With separating retainer	no
With overhang	yes
Mounting opening	For service outlet
Nominal size for device installation units	6
Height-adjustment range, max.	110 mm
Height-adjustment range, min.	60 mm
Removable cover	yes