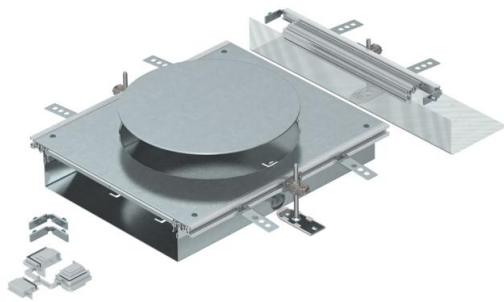


Technical data sheet

Extension unit for GESR9, height 100–150 mm

Item number: 7424926



Ready-to-mount trunking extension unit with a device installation lid for the installation of a flush-mount unit of nominal size R9, consisting of the trunking base (floor trough with side and floor covering contact profiles), trunking lid with blank mounting opening and a flushfloor end cover. The scope of delivery contains 3 height-adjustable fixing brackets, 3 screed anchors, 1 lid butt support and 1 construction set for 90° angle. Size of the mounting unit suitable for the installation of a round installation unit of nominal size R9 or R9/55.



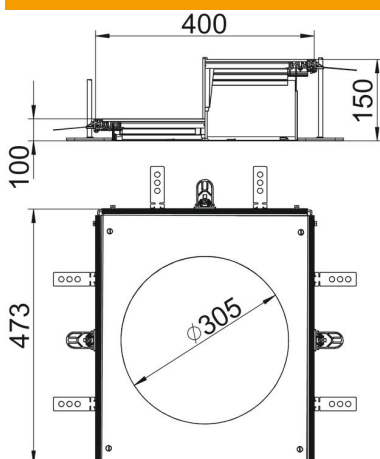
St Steel

FS Strip galvanized

Master data

Item number	7424926
Description 1	Extension unit
Description 2	for OKA-W
Manufacturer	OBO
Material	Steel
Surface	Strip galvanized
Surface standard	DIN EN 10346
Smallest sales unit	1
Unit of quantity	Piece
Weight	911 kg
Weight unit	kg/100 pc.

Dimensions



Length	473 mm
Width	400 mm
Dimension A	400 mm
Dimension d Ø	305 mm
Dimension h	100 mm

Technical data sheet

Extension unit for GESR9, height 100–150 mm

Item number: 7424926



Technical data

Mounting opening cover	yes
Covers	1
Number of mounting openings	1
Cover fastening, locking	no
Seal installation option	yes
Installation opening for on-floor tank	no
Installation opening for flush-mount unit	Round
Decouplable	no
Suitable for expansion joint	no
Suitable for screed-flush closed underfloor ducts	no
Suitable for flushfloor, open underfloor trunking	yes
Suitable for screed-covered underfloor ducts	no
Trunking height, max.	150 mm
Duct height, min.	100 mm
Cover material thickness	4
Minimum screed height	100
With connection opening	yes
With equipotential bonding	no
With separating retainer	no
With overhang	yes
Mounting opening	For service outlet
Nominal size for device installation units	R9
Height-adjustment range, max.	150 mm
Height-adjustment range, min.	100 mm
Removable cover	yes