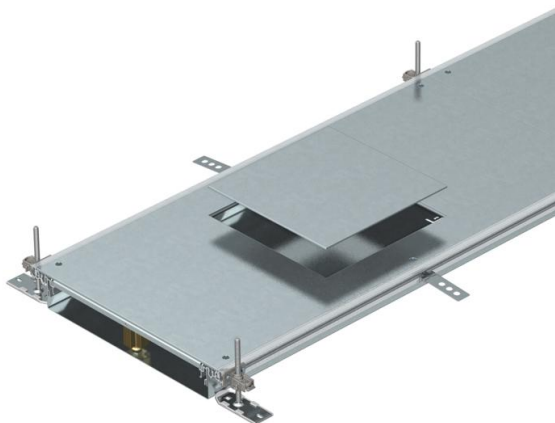


# Technical data sheet

## Trunking unit for GES9, height 60–110 mm

Item number: 7424720



Ready-to-mount trunking unit with three or six device installation lids for cable laying and the installation of installation units of nominal size 9, consisting of the trunking base (floor trough with side and floor covering guide profiles) and trunking lid with blank mounting opening. Floor trough with holding shackles for self-contacting mounting of dividers. The scope of supply contains six height-adjustable wall fixing brackets, six screed anchors and three height-adjustable cover joint supports for nominal trunking widths 400 or six height-adjustable cover joint supports for nominal trunking widths 500 and 600. Trunking lid screwed down when delivered.

With three (for nominal trunking width 400, L = 800 mm) or six device installation lids (for nominal trunking widths 500 and 600, L = 400 mm) each with one installation opening for a square installation unit of nominal size 9 or 9/55.



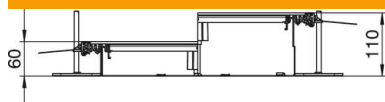
**St** Steel

**FS** Strip galvanized

### Master data

|                     |                          |
|---------------------|--------------------------|
| Item number         | 7424720                  |
| Type                | OKA-W4006050D9           |
| Description 1       | Flushfloor trunking unit |
| Description 2       | for service unit GES9    |
| Manufacturer        | OBO                      |
| Dimension           | 2400x400x60              |
| Material            | Steel                    |
| Surface             | Strip galvanized         |
| Surface standard    | DIN EN 10346             |
| Smallest sales unit | 2.4                      |
| Unit of quantity    | Metre                    |
| Weight              | 1785.42 kg               |
| Weight unit         | kg/100 m                 |

### Dimensions



|        |          |
|--------|----------|
| Length | 2,400 mm |
| Width  | 400 mm   |

# Technical data sheet

Trunking unit for GES9, height 60–110 mm

Item number: 7424720



## Technical data

|  |                    |
|--|--------------------|
| Mounting opening cover                     | yes                |
| Covers                                     | 3                  |
| Number of insertable partitions            | 2                  |
| Number of planned flush-mount units        | 3                  |
| Number of compartments                     | 3 St.              |
| Mounting system fastening type             | Floor              |
| Floor plate                                | yes                |
| Cover fastening, locking                   | no                 |
| Seal installation option                   | yes                |
| Installation opening for on-floor tank     | no                 |
| Decouplable                                | yes                |
| Suitable for expansion joint               | no                 |
| Mesh wall                                  | no                 |
| Trunking height, max.                      | 110 mm             |
| Duct height, min.                          | 60 mm              |
| Cover material thickness                   | 4                  |
| Minimum screed height                      | 60                 |
| With connection opening                    | yes                |
| With equipotential bonding                 | no                 |
| With separating retainer                   | no                 |
| With overhang                              | yes                |
| Mounting opening                           | For service outlet |
| Mounting opening                           | Square             |
| Nominal size for device installation units | 9                  |
| Height-adjustment range, max.              | 110 mm             |
| Height-adjustment range, min.              | 60 mm              |
| Removable cover                            | yes                |
| Separating retainer fastening              | stecken            |
| Separating retainer fastening              | Plug               |