

Technical data sheet

Wall and support bracket MWA 12 FS

Item number: 6424740



Light-duty wall and support bracket.
Including truss-head bolt M10 x 25 for fastening to
U supports.
Including truss-head screw M10 x 25 for fastening to
U supports.



St Steel

FS Strip galvanized

Master data

Item number	6424740
Type	MWA 12 31S FS
Description 1	Wall and support bracket
Description 2	with fastening bolt M10x25
Manufacturer	OBO
Dimension	B310mm
Material	Steel
Surface	Strip galvanized
Surface standard	DIN EN 10346
Smallest sales unit	1
Unit of quantity	Piece
Weight	50.3 kg
Weight unit	kg/100 pc.

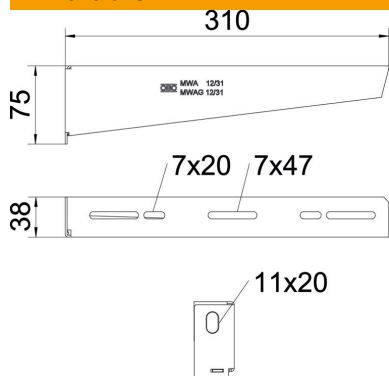
Technical data sheet

Wall and support bracket MWA 12 FS

Item number: 6424740



Dimensions

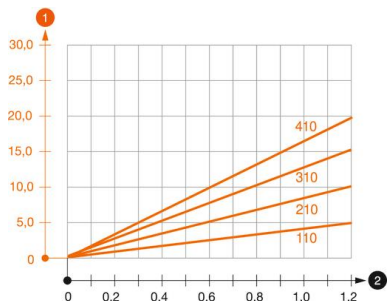


Length	38.5 mm
Width	310 mm
Height	75 mm
Height	2.95 in
Dimension A	38.5 mm
Dimension B	310 mm
Dimension H	75 mm
Maß W	310 mm

Technical data

Version for	Wall and support bracket
F in kN	1.2 kN
Maintain electrical functions	yes
Hole diameter	11 mm
Rustproof steel, pickled	no
Angle range, max.	90 mm
Angle range, min.	90 mm

Loads



Load diagram, bracket, type MWA 12

- 1** Bending of the bracket tip at permitted bracket load
- 2** Permitted bracket load in kN without man load
- Load curve with bracket lengths in mm

Characteristic anchor load values for wall and support bracket MWA 12

Anchor type	Wall fastening			
	Max. load [kN]			
	Bracket width [mm]			
	110	210	310	410
BZ3 10x90/0-30	1.2	1.2	1.2	1.2

Die angegebenen Werte basieren auf ungerissenen Beton der Festigkeitsklasse C20/25. Die Einbaubedingungen der ETA-Zulassung (Dübel) sind zu beachten!

Technical data sheet

Wall and support bracket MWA 12 FS

Item number: 6424740



Load values for MWA 12 on suspended support



Support	Max. total load F in kN			
	Bracket length in mm			
	100	200	300	400
US 3 K/ 20-60	1.2	1.2	1.2	1.2
US 3 K/ 70-120	1.2	1.2	1.2	1.2
US 5 K/ 20-60	1.2	1.2	1.2	1.2
US 5 K/ 70-120	1.2	1.2	1.2	1.2