

# Technical data sheet

## Wall and support bracket MWA 12 FS

Item number: 6424732



Light-duty wall and support bracket.  
Including truss-head bolt M10 x 25 for fastening to  
U supports.  
Including truss-head screw M10 x 25 for fastening to  
U supports.



**St** Steel

**FS** Strip galvanized

### Master data

Item number	6424732
Type	MWA 12 21S FS
Description 1	Wall and support bracket
Description 2	with fastening bolt M10x25
Manufacturer	OBO
Dimension	B210mm
Material	Steel
Surface	Strip galvanized
Surface standard	DIN EN 10346
Smallest sales unit	1
Unit of quantity	Piece
Weight	26.7 kg
Weight unit	kg/100 pc.

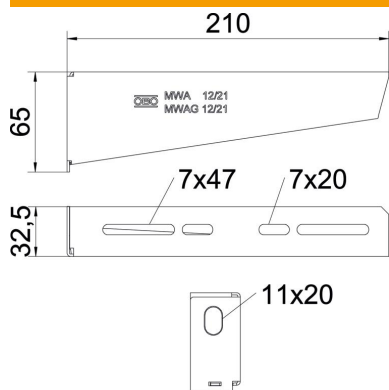
# Technical data sheet

## Wall and support bracket MWA 12 FS

Item number: 6424732



### Dimensions

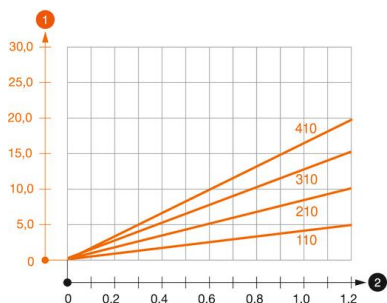


Length	210 mm
Width	32.5 mm
Width	8 in
Height	65 mm
Height	2.56 in
Dimension A	32.5 mm
Dimension B	210 mm
Dimension H	65 mm
Maß W	210 mm

### Technical data

Version for	Wall and support bracket
F in kN	1.2 kN
Maintain electrical functions	yes
Hole diameter	11 mm
Rustproof steel, pickled	no
Angle range, max.	90 mm
Angle range, min.	90 mm

### Loads



#### Load diagram, bracket, type MWA 12

- 1 Bending of the bracket tip at permitted bracket load
- 2 Permitted bracket load in kN without man load
- Load curve with bracket lengths in mm

### Characteristic anchor load values for wall and support bracket MWA 12

#### Wall fastening

Anchor type	Max. load [kN]			
	Bracket width [mm]			
	110	210	310	410
BZ3 10x90/0-30	1.2	1.2	1.2	1.2

Die angegebenen Werte basieren auf ungerissenen Beton der Festigkeitsklasse C20/25. Die Einbaubedingungen der ETA-Zulassung (Dübel) sind zu beachten!