

Technical data sheet

2 x BNC connection, 1 module, straight outlet, as 1:1 coupling, aluminium-painted

Item number: 6105096



Multimedia support with two BNC connection sockets, straight cable outlet, with labelling panel, two BNC couplings, socket-socket version. Support plate with locking fastening, suitable for horizontal and vertical installation in the system environment.

PC Polycarbonate

Master data

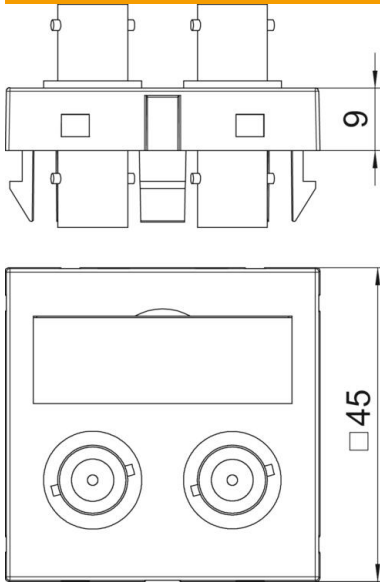
Item number	6105096
Type	MTG-2BC F AL1
Description 1	Multimedia support, audio BNC
Description 2	2x coupling, socket-socket
Manufacturer	OBO
Dimension	45x45mm
Colour	Aluminium painted
Material	Polycarbonate
Smallest sales unit	1
Unit of quantity	Piece
Weight	2.5 kg
Weight unit	kg/100 pc.

Technical data sheet

2 x BNC connection, 1 module, straight outlet, as 1:1 coupling, aluminium-painted
Item number: 6105096



Dimensions



Width	45 mm
Height	45 mm

Technical data

Surface version	Matt
Fastening type	Lock
Halogen-free	yes
Hinged cover	no
Lamp-wire connector	no
With printed label	no
With dust protection	no
Protection rating	IP20
Depth	9 mm
Support ring	no
Transparent	no
Use	BNC/TNC
Strain relief option	no
Combination	Basic element with central cover plate