

Technical data sheet

Hook-head screw A4

Item number: 1148264



Hook-head screw for use with MS5030 profile rail



A4 Stainless steel

2B Bright, treated

Master data

Item number	1148264
Type	MS50HB M8x60 A4
Description 1	Hook-head screw
Description 2	for profile rail MS5030
Manufacturer	OBO
Dimension	M8x60mm
Material	Stainless steel
Surface	Bright, treated
Surface standard	
Smallest sales unit	25
Unit of quantity	Piece
Weight	9.9 kg
Weight unit	kg/100 pc.

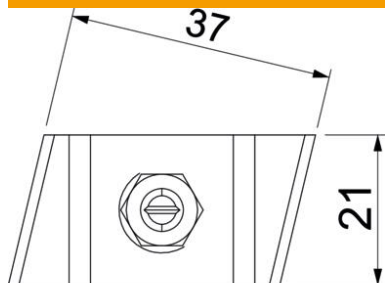
Technical data sheet

Hook-head screw A4

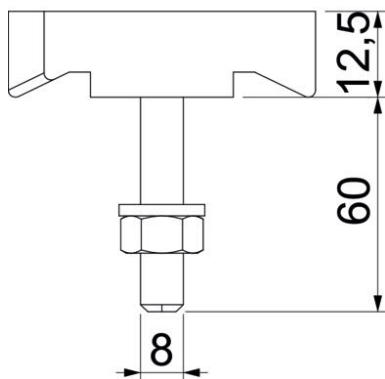
Item number: 1148264



Dimensions



Length	43 mm
Width	21 mm
Height	12 mm



Technical data

Suitable for mounting rail	yes
Thread	M8x60mm
Thread metric	8