

Technical data sheet

Hook-head screw A4

Item number: 1148256



Hook-head screw for use with MS5030 profile rail



A4 Stainless steel

2B Bright, treated

Master data

| | |
|---------------------|-------------------------|
| Item number | 1148256 |
| Type | MS50HB M6x30 A4 |
| Description 1 | Hook-head screw |
| Description 2 | for profile rail MS5030 |
| Manufacturer | OBO |
| Dimension | M6x30mm |
| Material | Stainless steel |
| Surface | Bright, treated |
| Surface standard | |
| Smallest sales unit | 50 |
| Unit of quantity | Piece |
| Weight | 7.8 kg |
| Weight unit | kg/100 pc. |

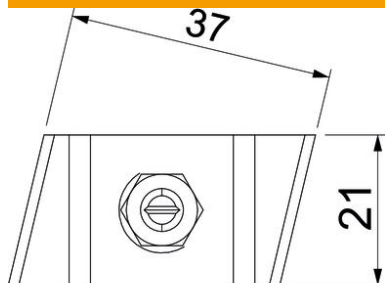
Technical data sheet

Hook-head screw A4

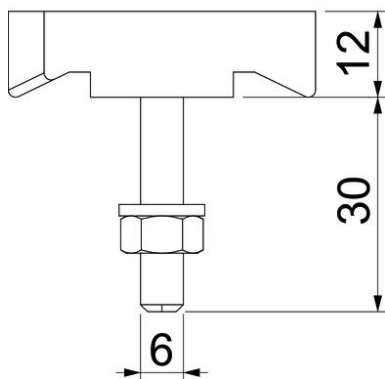
Item number: 1148256



Dimensions



| | |
|--------|-------|
| Length | 43 mm |
| Width | 21 mm |
| Height | 12 mm |



Technical data

| | |
|----------------------------|---------|
| Suitable for mounting rail | yes |
| Thread | M6x30mm |
| Thread metric | 6 |