

Technical data sheet

MS4121 mounting rail, slot 22 mm, A2, perforated

Item number: 1122925



Heavy-duty C profile rail for individual installation of support constructions, e.g. for cable trays or as a panel for switchgear cabinets. Can also be used for cable routing, in conjunction with clamp clips with a U foot.



A2 Stainless steel

2B Bright, treated

Master data

Item number	1122925
Type	MS4121P2000A2
Description 1	Profile rail
Description 2	perforated, slot 22mm
Manufacturer	OBO
Dimension	2000x41x21
Material	Stainless steel
Surface	Bright, treated
Surface standard	
Smallest sales unit	2
Unit of quantity	Metre
Weight	140.95 kg
Weight unit	kg/100 m

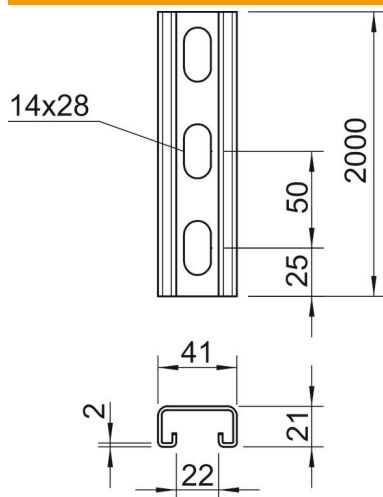
Technical data sheet

MS4121 mounting rail, slot 22 mm, A2, perforated

Item number: 1122925



Dimensions



Length	2,000 mm
Width	41 mm
Height	21 mm
Dimension L	2,000 mm

Technical data

Breakable	no
Type of perforation	Perforated back
Version for	Single profile
Drill hole spacing, centre	50 mm
Maintain electrical functions	no
Material thickness	2 mm
With perforation	yes
With tothing	yes
Profile shape	C profile
Slot width	22 mm
Static value A	1.65 cm ²
Static value Iy	0.95 cm
Static value Iz	4.51 cm
Static value Wy	0.89 cm ²
Static value Wz	2.2 cm ²