

Technical data sheet

MS4121 mounting rail, slot 22 mm, FS, perforated

Item number: 1122955



Heavy-duty C profile rail for individual installation of support constructions, e.g. for cable trays or as a panel for switchgear cabinets. Can also be used for cable routing, in conjunction with clamp clips with a U foot.



St Steel

FS Strip galvanized

Master data

| | |
|---------------------|-----------------------|
| Item number | 1122955 |
| Type | MS4121P0500FS |
| Description 1 | Profile rail |
| Description 2 | perforated, slot 22mm |
| Manufacturer | OBO |
| Dimension | 500x41x21 |
| Material | Steel |
| Surface | Strip galvanized |
| Surface standard | DIN EN 10346 |
| Smallest sales unit | 1 |
| Unit of quantity | Piece |
| Weight | 87.5 kg |
| Weight unit | kg/100 pc. |

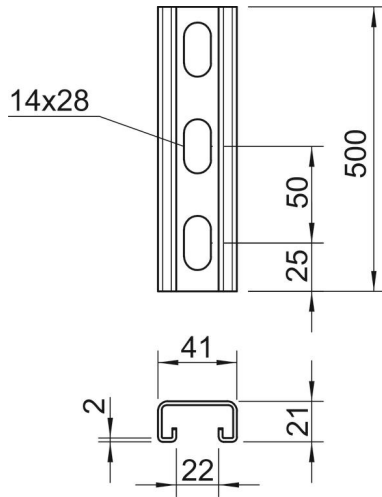
Technical data sheet

MS4121 mounting rail, slot 22 mm, FS, perforated

Item number: 1122955



Dimensions



| | |
|-------------|--------|
| Length | 500 mm |
| Width | 41 mm |
| Height | 21 mm |
| Dimension L | 500 mm |

Technical data

| | |
|-------------------------------|----------------------|
| Breakable | no |
| Type of perforation | Perforated back |
| Version for | Single profile |
| Drill hole spacing, centre | 50 mm |
| Maintain electrical functions | no |
| Material thickness | 2 mm |
| With perforation | no |
| With tothing | yes |
| Profile shape | C profile |
| Slot width | 22 mm |
| Static value A | 1.65 cm ² |
| Static value I _y | 0.95 cm |
| Static value I _z | 4.51 cm |
| Static value W _y | 0.89 cm ² |
| Static value W _z | 2.2 cm ² |