

Technical data sheet

Hook-head screw ZL

Item number: 1148122



Hook-head screw for use with MS4022 profile rail



St Steel

ZL Zinc slat

Master data

Item number	1148122
Type	MS40HB M10x60 ZL
Description 1	Hook-head screw
Description 2	for profile rail MS4022
Manufacturer	OBO
Dimension	M10x60mm
Material	Steel
Surface	Zinc slat
Surface standard	
Smallest sales unit	25
Unit of quantity	Piece
Weight	7.85 kg
Weight unit	kg/100 pc.

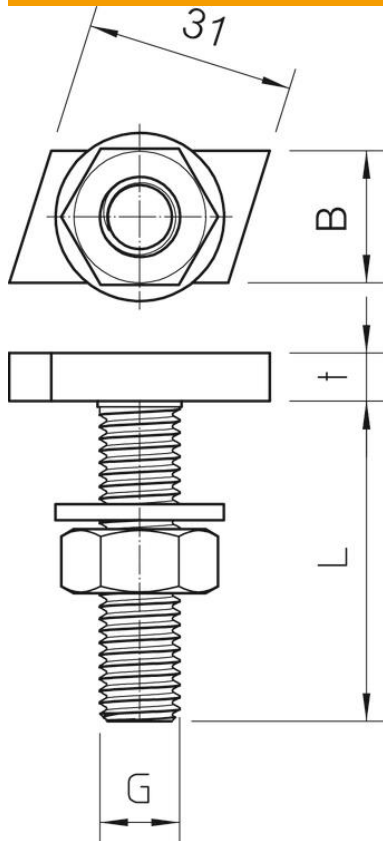
Technical data sheet

Hook-head screw ZL

Item number: 1148122



Dimensions



Length	35 mm
Width	14 mm
Height	7.5 mm

Technical data

Torque	16.1 Nm
Suitable for mounting rail	yes
Thread	M10x60mm
Thread metric	10