

Technical data sheet

Mounting plate for the installation of data sockets in
GESRM2, 1 x type LE
Item number: 7407628



Mounting plate to accept a data connection module of the following type: Lex-Com 125 and 250 Kat 5e (shielded).

Dimensions of a mounting opening in mm: 19.30 x 14.80.

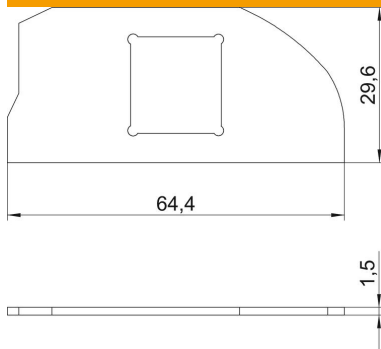


A2 Stainless steel

Master data

Item number	7407628
Type	MPRM2 1LE
Description 1	Mounting plate
Description 2	with 1x hole pattern Type LE
Manufacturer	OBO
Material	Stainless steel
Smallest sales unit	1
Unit of quantity	Piece
Weight	1.6 kg
Weight unit	kg/100 pc.

Dimensions



Length	64.4 mm
Width	29.6 mm

Technical data sheet

Mounting plate for the installation of data sockets in
GESRM2, 1 x type LE
Item number: 7407628



Technical data

Number of installable devices	2
Version for	Support shape
Fastening type	Lockable
Labelling panel	no
Floor covering protection frame	no
Floor plate	no
Lowerable to be flush-floor	no
Seal installation option	no
Installation opening for on-floor tank	no
Decouplable	no
Suitable for raised floor installation	yes
Suitable for screed-flush closed underfloor ducts	yes
Suitable for screed-covered underfloor ducts	yes
Suitable for cavity floor installation	yes
Suitable for wet care	yes
Suitable for underfloor ducts	yes
With floor covering recess	no
Heavy-duty version	no
Depth	1.5 mm
Strain relief option	yes