

Technical data sheet

Mounting plate for the installation of data sockets in
GESRM2, 1 x type XD
Item number: 7407634



For the installation of an XLR installation socket, type D.



- St** Steel
- FS** Strip galvanized

Master data

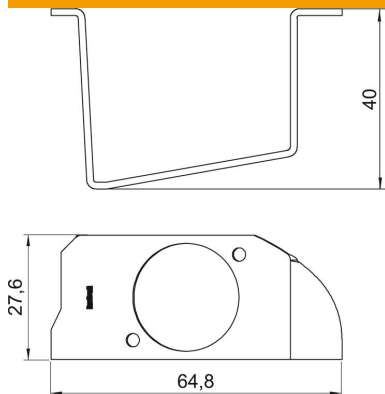
Item number	7407634
Type	MPR2XD
Description 1	Mounting plate
Description 2	for XLR in GESRM2
Manufacturer	OBO
Material	Steel
Surface	Strip galvanized
Surface standard	DIN EN 10346
Smallest sales unit	1
Unit of quantity	Piece
Weight	3.28 kg
Weight unit	kg/100 pc.

Technical data sheet

Mounting plate for the installation of data sockets in
GESRM2, 1 x type XD
Item number: 7407634



Dimensions



Length	64.4 mm
Width	29.6 mm

Technical data

Number of installable devices	2
Version for	Support shape
Fastening type	Lockable
Labelling panel	no
Floor covering protection frame	no
Floor plate	no
Lowerable to be flush-floor	no
Seal installation option	no
Installation opening for on-floor tank	no
Decouplable	no
Suitable for raised floor installation	yes
Suitable for screed-flush closed underfloor ducts	yes
Suitable for screed-covered underfloor ducts	yes
Suitable for cavity floor installation	yes
Suitable for wet care	yes
Suitable for underfloor ducts	yes
With floor covering recess	no
Heavy-duty version	no
Depth	1.5 mm
Strain relief option	yes