

Technical data sheet

Straight connector FT

Item number: 6066240



Straight connector for straight connection of cable trays, according to the marine standard, with a side height of 15 mm.



St Steel

FT Hot-dip galvanised

Master data

Item number	6066240
Type	MKR SV FT
Description 1	Screw connector
Description 2	for cable tray marine standard
Manufacturer	OBO
Dimension	16x29x60
Material	Steel
Surface	Hot-dip galvanised
Surface standard	DIN EN ISO 1461
Smallest sales unit	25
Unit of quantity	Piece
Weight	5.888 kg
Weight unit	kg/100 pc.

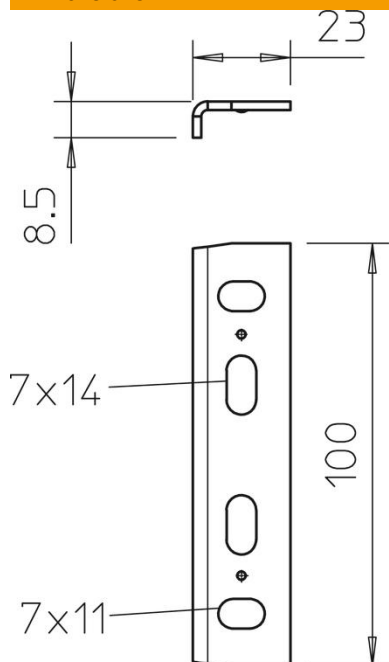
Technical data sheet

Straight connector FT

Item number: 6066240



Dimensions



Length	100 mm
Width	23 mm
Height	8.5 mm

Technical data

Version for	Straight connector
Maintain electrical functions	no
Suitable for mesh cable tray	no
Suitable for cable ladder	no
Suitable for cable tray	yes
Suitable for cable tray system height	15 mm
Adjustable connector, horizontal	no
Articulated connector, vertical	no
Rustproof steel, pickled	no
Connection type	Screw connector