

Technical data sheet

Motor connection column FT

Item number: 6356311



Vertical motor connection column to supply electrical devices.



St Steel

FT Hot-dip galvanised

Master data

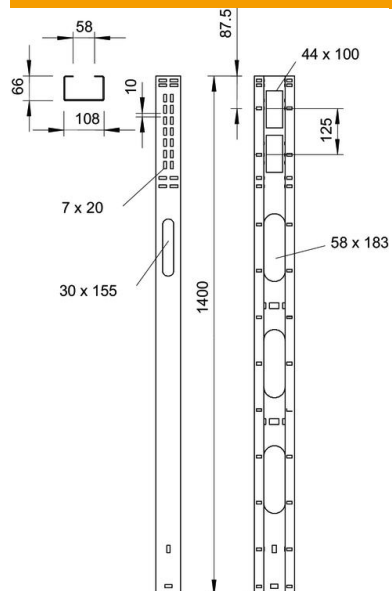
Item number	6356311
Type	MAS 140 10 FT
Description 1	Motor connection column
Manufacturer	OBO
Dimension	66x108x1400
Material	Steel
Surface	Hot-dip galvanised
Surface standard	DIN EN ISO 1461
Smallest sales unit	1
Unit of quantity	Piece
Weight	505 kg
Weight unit	kg/100 pc.

Technical data sheet

Motor connection column FT

Item number: 6356311

Dimensions



Length | 1,400 mm

Technical data

Mounting perforation in base	yes
Rustproof steel, pickled	no
Side perforation	yes
Wide-span version	no