

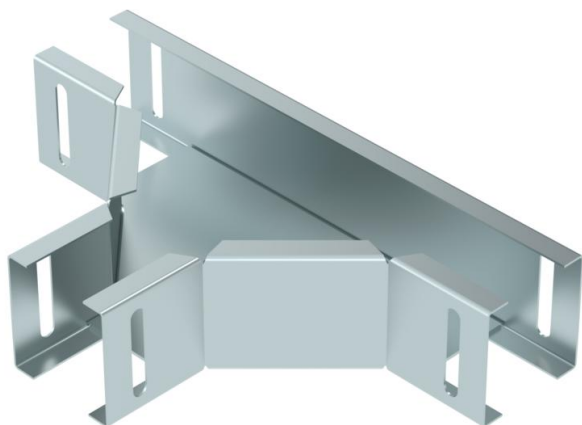
Technical data sheet

T-piece

Item number: 6074912



Horizontal tee, for AZ small duct AZK 050 and luminaire support channel LTS 50.



CE

St Steel

DD Strip galvanised zinc/aluminium, Double Dip

Master data

Item number	6074912
Type	LTS T DD
Description 1	T piece
Description 2	for luminaire support rail
Manufacturer	OBO
Dimension	50x50
Material	Steel
Surface	Strip galvanised zinc/aluminium, Double Dip
Surface standard	DIN EN 10346
Smallest sales unit	1
Unit of quantity	Piece
Weight	47.8 kg
Weight unit	kg/100 pc.

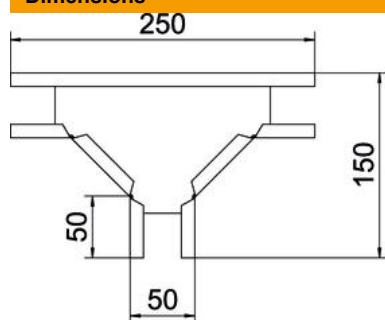
Technical data sheet

T-piece

Item number: 6074912



Dimensions



Width	50 mm
Height	50 mm

Technical data

Connector version	Without connectors
Maintain electrical functions	no
NATO hole pattern	no
Rustproof steel, pickled	no
Wide-span version	no
Rail thickness	1 mm