

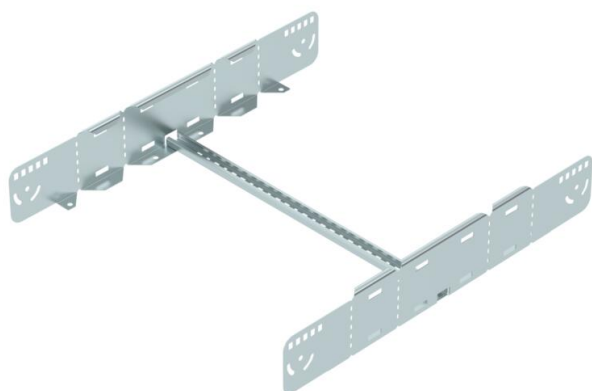
Technical data sheet

Multifunctional connector FS

Item number: 6225758



Multifunctional connector for joining cable ladders with a side height of 110 mm. Symmetrical and asymmetrical reductions, infinitely-adjustable bends between 0–60° and add-on tees can be created.



St Steel

FS Strip galvanized

Master data

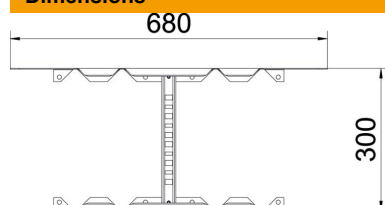
Item number	6225758
Type	LMFV 1160 FS
Description 1	Multifunctional connector
Description 2	for cable ladder
Manufacturer	OBO
Dimension	110x600
Material	Steel
Surface	Strip galvanized
Surface standard	DIN EN 10346
Smallest sales unit	1
Unit of quantity	Piece
Weight	234 kg
Weight unit	kg/100 pc.

Technical data sheet

Multifunctional connector FS

Item number: 6225758

Dimensions



Length	680 mm
Width	600 mm
Height	110 mm
Plate thickness	1.5 mm
Dimension B	600 mm

Technical data

Version for	Straight and angle connector
Maintain electrical functions	no
Suitable for mesh cable tray	no
Suitable for cable ladder	yes
Suitable for cable tray	no
Suitable for cable support system width, max.	600 mm
Suitable for cable support system width, min.	600 mm
Suitable for cable tray system height	110 mm
Adjustable connector, horizontal	no
Articulated connector, vertical	no
Rustproof steel, pickled	no
Connection type	Screw connector