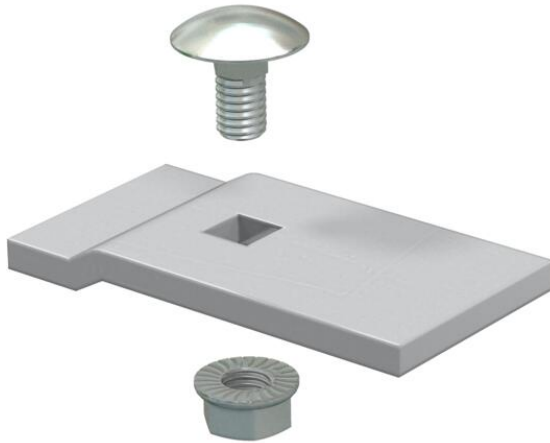


Technical data sheet

Clamping piece LKS 60/4 A2

Item number: 6221130



Hold-down clamp for fastening cable ladders.
Fastening on brackets, type AW 15, AW 30 and AW 55, using the enclosed truss-head bolt FRS M6x20.



A2 Stainless steel

2B Bright, treated

Master data

Item number	6221130
Type	LKS 60 4 A2
Description 1	Hold-down clamp
Description 2	for cable ladder LG110
Manufacturer	OBO
Material	Stainless steel
Surface	Bright, treated
Surface standard	
Smallest sales unit	10
Unit of quantity	Piece
Weight	8 kg
Weight unit	kg/100 pc.

Technical data sheet

Clamping piece LKS 60/4 A2

Item number: 6221130



Dimensions

