

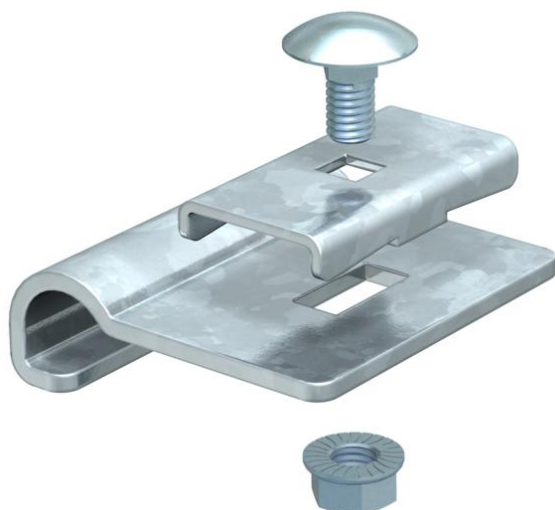
# Technical data sheet

## Support angle

Item number: 6221513



Support bracket for creation of branches at different heights at a later date.



**St** Steel

**FT** Hot-dip galvanised

### Master data

Item number	6221513
Type	LAW FT
Description 1	Support profile
Description 2	for cable ladder
Manufacturer	OBO
Dimension	50x50
Material	Steel
Surface	Hot-dip galvanised
Surface standard	DIN EN ISO 1461
Smallest sales unit	10
Unit of quantity	Piece
Weight	9.2 kg
Weight unit	kg/100 pc.

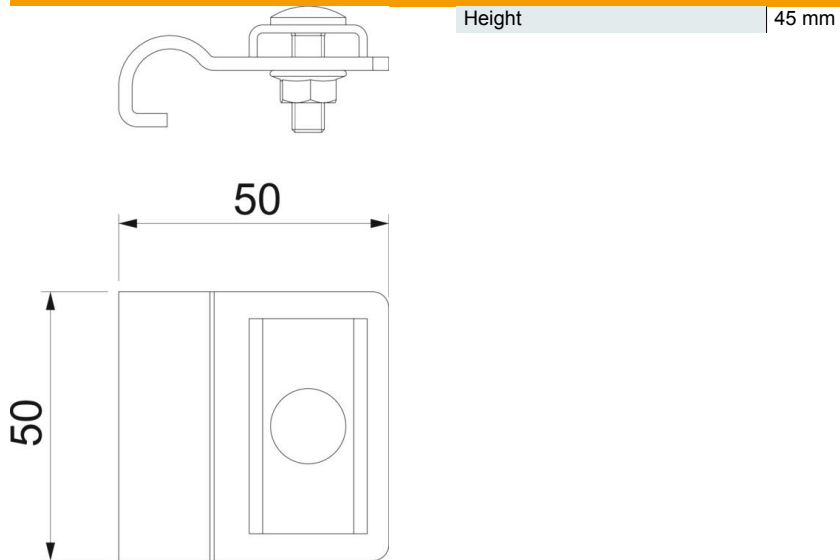
# Technical data sheet

## Support angle

Item number: 6221513



### Dimensions



### Technical data

Suitable for cable ladder	yes
---------------------------	-----