

Technical data sheet

Connector FS

Item number: 6221351



Connector for creation of branches at the same height at a later date.
To increase the cable supporting surface, use a conjunction of corner plates of type LEB.



St Steel

FS Strip galvanized

Master data

Item number	6221351
Type	LAS 60 FS
Description 1	Connection piece
Description 2	for cable ladder
Manufacturer	OBO
Dimension	H60mm
Material	Steel
Surface	Strip galvanized
Surface standard	DIN EN 10346
Smallest sales unit	10
Unit of quantity	Piece
Weight	13 kg
Weight unit	kg/100 pc.

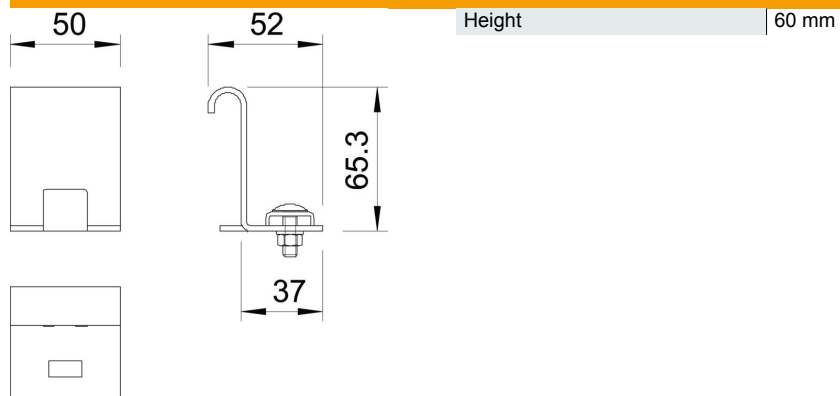
Technical data sheet

Connector FS

Item number: 6221351



Dimensions



Technical data

Suitable for mesh cable tray	no
Suitable for cable ladder	yes
Suitable for cable tray	no
Rustproof steel, pickled	no