

Technical data sheet

Head plate, variable A2

Item number: 6349196



Variable head plate for installation on US 7 support.
Please order fastening material (two hexagonal bolts SKS 12 x 100 and spacer DSK 45) separately.



A2 Stainless steel

2B Bright, treated

Master data

Item number	6349196
Type	KU 7 VQP A2
Description 1	Head plate
Description 2	for US 7 support, variable
Manufacturer	OBO
Dimension	200x100
Material	Stainless steel
Surface	Bright, treated
Surface standard	
Smallest sales unit	1
Unit of quantity	Piece
Weight	180.7 kg
Weight unit	kg/100 pc.

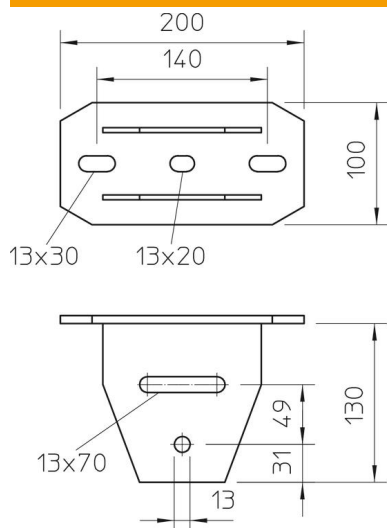
Technical data sheet

Head plate, variable A2

Item number: 6349196



Dimensions



Length	200 mm
Width	100 mm
Height	130 mm

Technical data

Version for	Screw head plate
Suitable for ceiling fastening	yes
Suitable for panel fastening	no
Suitable for profile shapes	U profile
Rustproof steel, pickled	no