

# Technical data sheet

## Head plate A4

Item number: 6348877



Head plate for mounting on US 3 supports.  
The head plate can be mounted to fixed lengths of the U support, type US 3.  
Including appropriate fastening material.  
Including appropriate fastening material.



**A4** Stainless steel

**2B** Bright, treated

### Master data

|                     |                  |
|---------------------|------------------|
| Item number         | 6348877          |
| Type                | KU 3 A4          |
| Description 1       | Head plate       |
| Description 2       | for US 3 support |
| Manufacturer        | OBO              |
| Dimension           | 130x40x100       |
| Material            | Stainless steel  |
| Surface             | Bright, treated  |
| Surface standard    |                  |
| Smallest sales unit | 1                |
| Unit of quantity    | Piece            |
| Weight              | 40.7 kg          |
| Weight unit         | kg/100 pc.       |

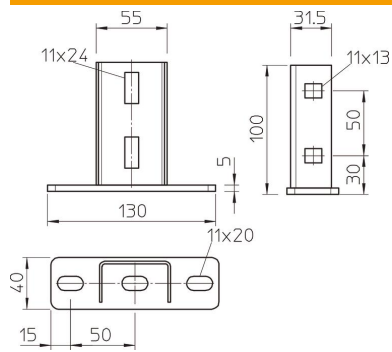
# Technical data sheet

## Head plate A4

Item number: 6348877



### Dimensions



|        |        |
|--------|--------|
| Length | 130 mm |
| Width  | 40 mm  |
| Height | 100 mm |

### Technical data

|                                |                  |
|--------------------------------|------------------|
| Version for                    | Screw head plate |
| Maintain electrical functions  | no               |
| Suitable for ceiling fastening | yes              |
| Suitable for panel fastening   | no               |
| Suitable for profile shapes    | U profile        |
| Rustproof steel, pickled       | no               |
| Angle range, max.              | 90 mm            |
| Angle range, min.              | 90 mm            |