

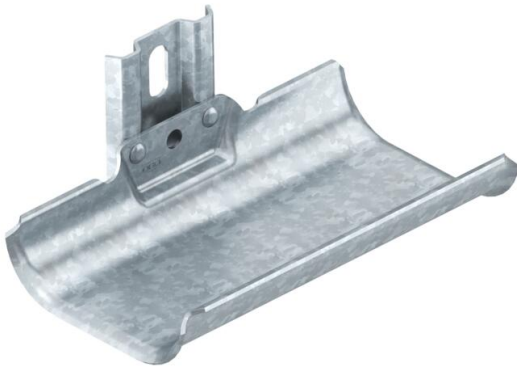
# Technical data sheet

## Cable support trough, single, with fastening rail

Item number: 6006901



Cable support brackets for quick and easy routing of cables in areas where common cable support systems cannot be installed due to lack of space. The cable support brackets possess a large load-bearing surface as well as rounded outer edges to protect the cables. In accordance with DIN VDE 0298-300, a maximum support spacing of 0.8 m should not be exceeded.



- St** Steel
- FT** Hot-dip galvanised

### Master data

Item number	6006901
Type	KTW 100 1 FT
Description 1	Cable support trough
Description 2	single
Manufacturer	OBO
Dimension	140x200x123
Material	Steel
Surface	Hot-dip galvanised
Surface standard	DIN EN ISO 1461
Smallest sales unit	1
Unit of quantity	Piece
Weight	6.1 kg
Weight unit	kg/100 pc.

### Dimensions

Length	198 mm
Width	122 mm
Height	140 mm
Plate thickness	2 mm
Dimension L	140 mm

# Technical data sheet

Cable support trough, single, with fastening rail

Item number: 6006901



## Technical data

Number of troughs	1 St.
Version for	Single
F in kN per trough	0.5 kN