

# Technical data sheet

## Identification plate

Item number: 7203140



Universal identification plate to be written on with waterproof and light-resistant felt-tip pen for cable bandages, including two push-fit anchors.

**PVC** Polyvinylchloride

### Master data

Item number	7203140
Type	KS-FSB DE
Description 1	Identification plate
Description 2	for cable bandage
Manufacturer	OBO
Dimension	100x70
Material	Polyvinylchloride
Smallest sales unit	1
Unit of quantity	Piece
Weight	2.4 kg
Weight unit	kg/100 pc.

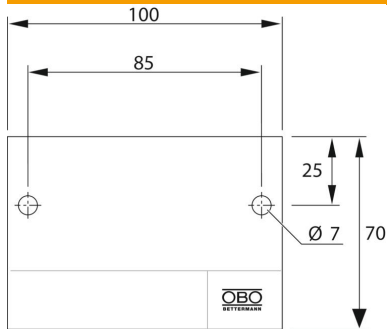
# Technical data sheet

## Identification plate

Item number: 7203140



### Dimensions



Width	100 mm
Height	70 mm

### Technical data

Language	German
----------	--------