

# Technical data sheet

## Beam clamp for cable ladders KLL 52 FT

Item number: 6221071



Beam clamp for fastening cable ladders to steel girders.



CE

St

Steel

FT

Hot-dip galvanised

### Master data

Item number	6221071
Type	KLL 52 FT
Description 1	Hold-down clamp
Description 2	for cable ladder
Manufacturer	OBO
Dimension	52x88x5
Material	Steel
Surface	Hot-dip galvanised
Surface standard	DIN EN ISO 1461
Smallest sales unit	10
Unit of quantity	Piece
Weight	21.4 kg
Weight unit	kg/100 pc.

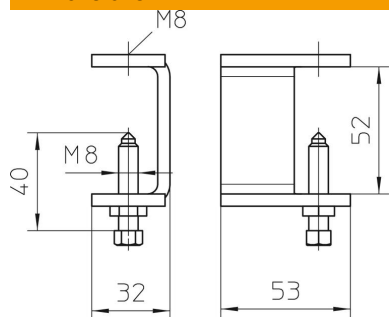
# Technical data sheet

## Beam clamp for cable ladders KLL 52 FT

Item number: 6221071



### Dimensions



Height	52 mm
--------	-------