

# Technical data sheet

## Head plate with 2 welded-on CPS 5 rails FT

Item number: 6347036



Head plate with two welded-on MS5030 profile rails for the mounting to the IS 8 support.

The fastening to the T support is done using the appropriate chuck jaws. The rail route is in the longitudinal direction.

Including appropriate fastening material.



**St** Steel

**FT** Hot-dip galvanised

### Master data

Item number	6347036
Type	KI8 CPS5-2-300FT
Description 1	Head plate
Description 2	for IS 8 support
Manufacturer	OBO
Dimension	300mm
Material	Steel
Surface	Hot-dip galvanised
Surface standard	DIN EN ISO 1461
Smallest sales unit	1
Unit of quantity	Piece
Weight	281 kg
Weight unit	kg/100 pc.

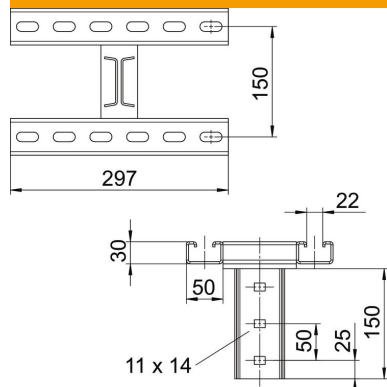
# Technical data sheet

## Head plate with 2 welded-on CPS 5 rails FT

Item number: 6347036



### Dimensions



Length	300 mm
Width	200 mm
Height	180 mm

### Technical data

Version for	Miscellaneous
Maintain electrical functions	no
Suitable for ceiling fastening	yes
Suitable for panel fastening	no
Suitable for profile shapes	I profile
Rustproof steel, pickled	no
Angle range, max.	90 mm
Angle range, min.	90 mm