

Technical data sheet

Clamping device

Item number: 6290189



Clamping device for tensioning the floor-ceiling service poles against the ceiling. The area for height adjustment lies between 313 mm (basis length) and 480 mm.



Master data

Item number	6290189
Type	ISSDV
Description 1	Clamping device
Description 2	ISS floor-ceiling
Manufacturer	OBO
Dimension	313x31
Smallest sales unit	1
Unit of quantity	Piece
Weight	70 kg
Weight unit	kg/100 pc.

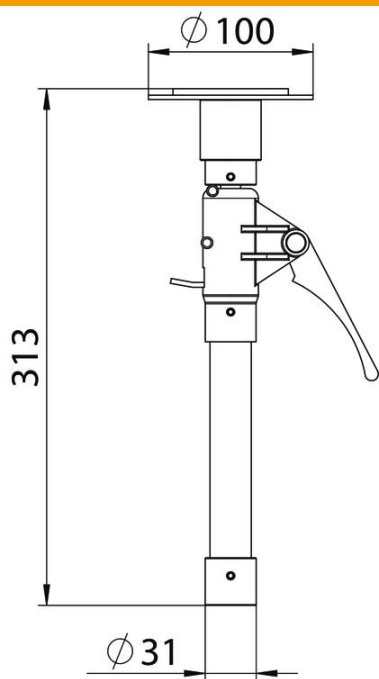
Technical data sheet

Clamping device

Item number: 6290189



Dimensions



Length	313 mm
Width	31 mm
Height	31 mm

Technical data

Fastening type	Clamp
Halogen-free	yes