

Technical data sheet

Service pole, sheet steel, with sheet steel cover

Item number: 6286530



Sheet steel service pole with a 76.5 mm system opening.

Set consisting of:

1 single-compartment pole with clamping fastening

Total length 2,625–3,665 mm

1 ceiling fastening with telescopic profile

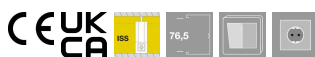
1 sheet steel cover

Length: 2,500 mm

A 2 m PVC separating retainer and 2 cover clips are contained in the scope of delivery.

The service pole is suitable for accepting accessory mounting boxes of the series 71GD...

The service pole is pre-mounted and ready for use immediately. The following accessories can also be used, depending on the mounting situation.



St Steel

Master data

Item number	6286530
Type	ISS70110STSRW
Description 1	Service pole
Description 2	floor-ceiling cover, steel
Manufacturer	OBO
Dimension	2505x115x75
Colour	Pure white; RAL 9010
Material	Steel
Smallest sales unit	1
Unit of quantity	Piece
Weight	1121 kg
Weight unit	kg/100 pc.

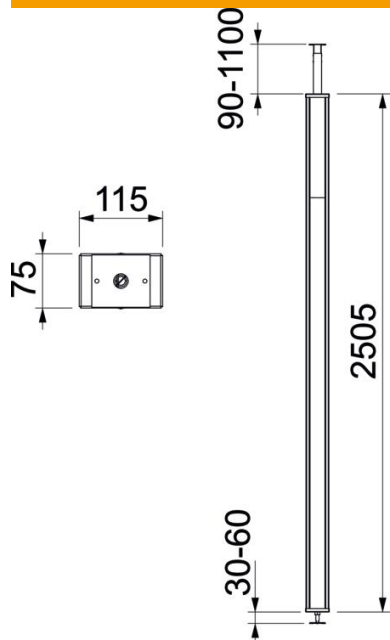
Technical data sheet

Service pole, sheet steel, with sheet steel cover

Item number: 6286530



Dimensions



Length	2,505 mm
Width	115 mm
Height	75 mm

Technical data

Number of usable covers	1
Number of compartments	1 St.
Version for	Single-sided
Fastening type	Telescope
Floor mounting	no
Ceiling mounting	yes
Continuous profile	yes
Halogen-free	yes
Height compensation, max.	1100 mm
Height compensation, min.	90 mm
Cable entry	Top
Cover width	76.5 mm
Changes according to location	no
Pole shape	Rectangular
Pole height, max.	3700 mm
Pole height, min.	2600 mm
Adjustable	yes
Pre-wired	no