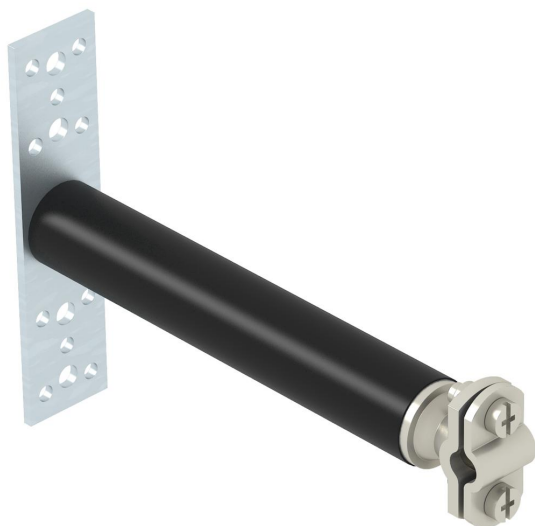


Technical data sheet

Insulated spacer

Item number: 5408800



- Mounting foot with 10 connection holes \varnothing 6.5 mm and 4 connection holes \varnothing 8.5 mm
- Type ...150 8 with holder suitable for round conductor RD 8
- Application for shelters e.g. golf, barbecue or mountain huts

PA Polyamide

Master data

Item number	5408800
Type	ISO-A-150 8
Description 1	ISO spacer
Description 2	with fastening for RD 8
Manufacturer	OBO
Dimension	150mm
Material	Polyamide
Smallest sales unit	15
Unit of quantity	Piece
Weight	13.8 kg
Weight unit	kg/100 pc.

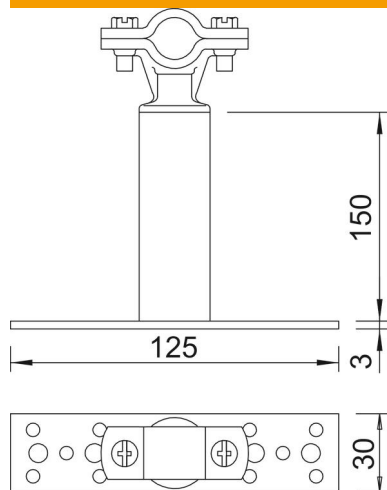
Technical data sheet

Insulated spacer

Item number: 5408800



Dimensions



Length | 150 mm

Technical data

Fit | Rd 8 mm