

# Technical data sheet

## Height adjustment unit

Item number: 7399923



Height adjustment kit for IBK system components.

For levelling boxes, connectors and supports.



**St** Steel

**FS** Strip galvanized

### Master data

Item number	7399923
Type	IBNEV 150
Description 1	Height-adjustment unit
Description 2	for IBK
Manufacturer	OBO
Material	Steel
Surface	Strip galvanized
Surface standard	DIN EN 10346
Smallest sales unit	10
Unit of quantity	Piece
Weight	16.5 kg
Weight unit	kg/100 pc.

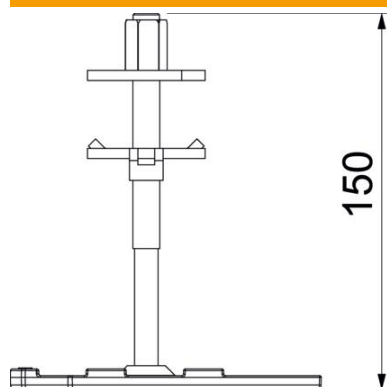
# Technical data sheet

## Height adjustment unit

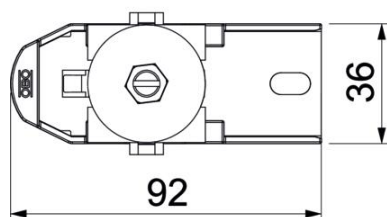
Item number: 7399923



### Dimensions



Length	92.5 mm
Width	36 mm
Height	150 mm
Dimension h	150 mm



### Technical data

Type of accessory	Miscellaneous
Height-adjustment range, max.	145 mm
Height-adjustment range, min.	75 mm