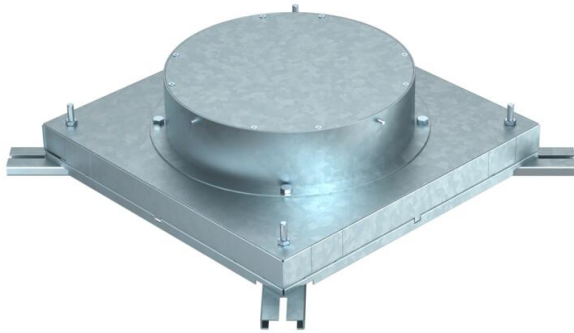


# Technical data sheet

## In-concrete box for installation units of nominal size R9

Item number: 7399858



In-concrete box for duct height 48 mm, prepared for duct widths 250 and 350 mm.

With four adjustable placements for height-adjustment units.

The integrated lined body can be adjusted to a maximum of 65 mm for compensating screed work.



**St** Steel

**FS** Strip galvanized

### Master data

Item number	7399858
Type	IBD 35048 R9
Description 1	In-concrete box
Description 2	for GESR9
Manufacturer	OBO
Material	Steel
Surface	Strip galvanized
Surface standard	DIN EN 10346
Smallest sales unit	1
Unit of quantity	Piece
Weight	940 kg
Weight unit	kg/100 pc.

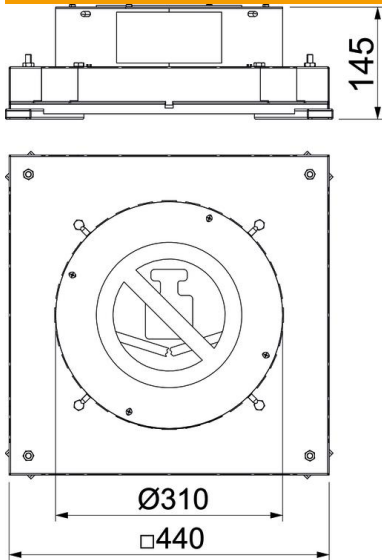
# Technical data sheet

In-concrete box for installation units of nominal size R9

Item number: 7399858



## Dimensions



Height	145 mm
Dimension h	145 mm

## Technical data

Number of installable devices	12
Floor plate	yes
Seal installation option	no
Installation opening for on-floor tank	no
Installation opening for flush-mount unit	Round
Decouplable	no
For pipe connection	no
Suitable for screed-flush closed underfloor ducts	no
Suitable for screed-covered underfloor ducts	yes
Suitable for underfloor ducts	yes
Trunking width, max.	350 mm
Trunking width, min.	250 mm
Duct height, min.	48 mm
Nominal size for device installation units	R9