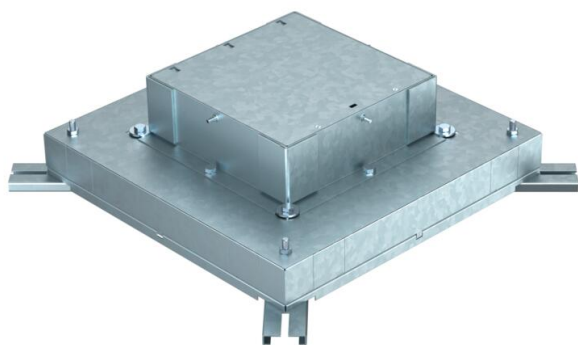


# Technical data sheet

## In-concrete box for installation units of nominal size 9

Item number: 7399850



In-concrete box for duct height 38 mm, prepared for duct widths 250 and 350 mm.

With four adjustable placements for height-adjustment units.

The integrated lined body can be adjusted to a maximum of 65 mm for compensating screed work.



**St** Steel

**FS** Strip galvanized

### Master data

Item number	7399850
Type	IBD 35038 9
Description 1	In-concrete box
Description 2	for GES9
Manufacturer	OBO
Dimension	440x440x135
Material	Steel
Surface	Strip galvanized
Surface standard	DIN EN 10346
Smallest sales unit	1
Unit of quantity	Piece
Weight	850 kg
Weight unit	kg/100 pc.

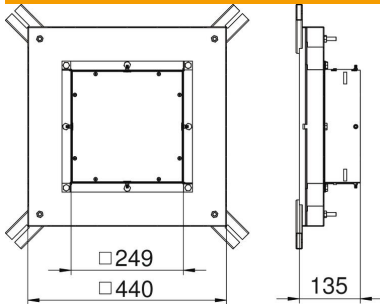
# Technical data sheet

## In-concrete box for installation units of nominal size 9

Item number: 7399850



### Dimensions



Height	135 mm
Dimension h	135 mm

### Technical data

Number of installable devices	12
Floor plate	yes
Seal installation option	no
Installation opening for on-floor tank	no
Installation opening for flush-mount unit	Square
Decouplable	no
For pipe connection	no
Suitable for screed-flush closed underfloor ducts	no
Suitable for screed-covered underfloor ducts	yes
Suitable for underfloor ducts	yes
Trunking width, max.	350 mm
Trunking width, min.	250 mm
Duct height, min.	38 mm
Nominal size for device installation units	9