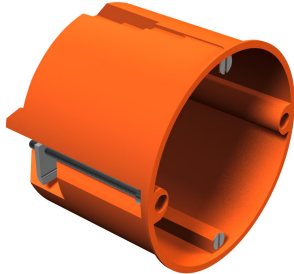


Technical data sheet

Cavity wall accessory/connection socket

Item number: 2003442



Cavity wall device/connection socket. Dimensions to DIN 49073-1, for plate thickness 7–35 mm. Standard combination spacing 71 mm, option for continuous wiring using connection support for combinations between device sockets and device connection sockets,

8 break-out openings for NYM cables, data cables and pipes \varnothing 20 mm, device sockets can also be used as connection sockets to VDE 0606-1 with double screw fastening and screw-on cover, protection rating IP30. According to IEC 60670-1, IEC 60670-22 and DIN 49073-1.



PP Polypropylene

Master data

| | |
|---------------------|---------------------------|
| Item number | 2003442 |
| Type | HV 60 |
| Description 1 | Device/connection plug |
| Description 2 | cavity wall |
| Manufacturer | OBO |
| Dimension | \varnothing 68mm, H61mm |
| Colour | Orange |
| Material | Polypropylene |
| Smallest sales unit | 25 |
| Unit of quantity | Piece |
| Weight | 2.74 kg |
| Weight unit | kg/100 pc. |

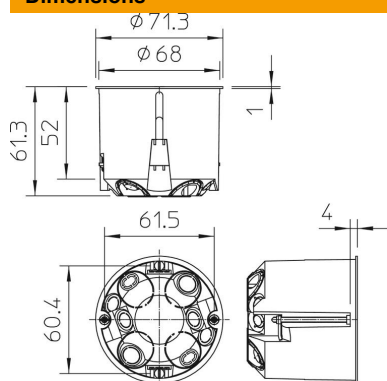
Technical data sheet

Cavity wall accessory/connection socket



Item number: 2003442

Dimensions



| | |
|--------|-------|
| Height | 61 mm |
|--------|-------|

Technical data

| | |
|------------------------------------|--|
| No. of entries | 8 |
| Number of switch boxes | 1 |
| Type of insertion... | break-out openings for NYM cables, data cables and pipes Ø 20 mm |
| Type of housing penetration | Pre-marking |
| Version for | Single |
| Type | Device connection socket/box |
| Device fixing | Screws , |
| Equipment | Without |
| Cover | Without |
| Cover fastening | Not applicable |
| Entry from rear | yes |
| Entries | 8 |
| Flame-resistant | Acc. to VDE 0471/DIN 695 Part 2-1, test temperature 850°C |
| Shape | Round |
| Milling hole diameter | 68 mm |
| Maintain electrical functions | Without |
| Floor height, min. | 61 mm |
| for pipe diameter | 20 mm |
| Suitable for plate thickness, max. | 35 mm |
| Suitable for plate thickness, min. | 7 mm |
| Accessory screw clearance | 60 mm |
| Halogen-free | yes |
| Max. Conductor cross-section | 2.5 mm ² |
| With screening | no |
| With nail strap | no |
| With bolts | yes |
| Mounting type | Cavity wall |
| Nominal cross-section, max. | 2.5 mm ² |
| Nominal cross-section, min. | 1.5 mm ² |
| Sealable | no |
| Impact-resistant | no |
| Protection rating | IP30 |
| Support | Without |
| Airtight | no |
| Rated voltage | 400 V |