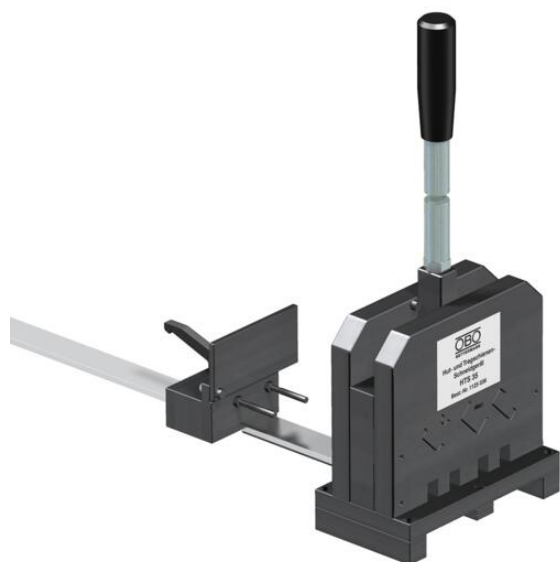


Technical data sheet

Hat profile and support rail cutting unit

Item number: 1125036



With the HTS 35 hat and support rail cutting device, you can cut the four most common hat and support rail profiles (types 2069..., 46277... and 2064...) to fit and without burring in accordance with DIN 50022 and DIN 50035.

CE

Master data

Item number	1125036
Type	HTS 35
Description 1	Cutting device
Description 2	for top hat and mounting rails
Manufacturer	OBO
Smallest sales unit	1
Unit of quantity	Piece
Weight	2000 kg
Weight unit	kg/100 pc.