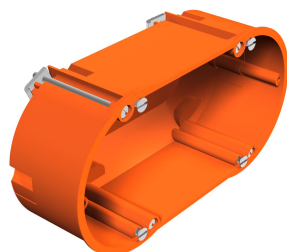


Technical data sheet

Cavity wall, double accessory socket

Item number: 2003422



Double device socket, for two service outlets or one double service outlet, with four device screws. Dimensions to DIN 49073-1, for plate thickness 7–35 mm. Standard combination spacing 71 mm, 14 break-out openings for NYM cables, data cables and pipes Ø 20 mm, IP30 protection rating. According to IEC 60670-1, IEC 60670-22 and DIN 49073-1.



PP Polypropylene

Master data

Item number	2003422
Type	HG 60 2
Description 1	Double appliance plug
Description 2	cavity wall
Manufacturer	OBO
Dimension	138x68x50
Colour	Orange
Material	Polypropylene
Smallest sales unit	10
Unit of quantity	Piece
Weight	4.85 kg
Weight unit	kg/100 pc.

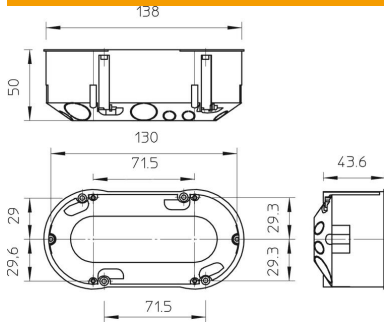
Technical data sheet

Cavity wall, double accessory socket



Item number: 2003422

Dimensions



Length	138 mm
Width	68 mm
Height	50 mm

Technical data

No. of entries	14
Number of switch boxes	2
Type of insertion...	break-out openings for NYM cables, data cables and pipes Ø 20 mm
Type of housing penetration	Pre-marking
Version for	Double
Type	Accessory socket
Device fixing	Screws ,
Equipment	Without
Cover	Without
Cover fastening	Not applicable
Entry from rear	yes
Entries	14
Flame-resistant	Acc. to VDE 0471/DIN 695 Part 2-1, test temperature 850°C
Shape	Oval
Milling hole diameter	68 mm
Maintain electrical functions	Without
Floor height, min.	50 mm
for pipe diameter	20 mm
Suitable for plate thickness, max.	35 mm
Suitable for plate thickness, min.	7 mm
Accessory screw clearance	60 mm
Halogen-free	yes
Max. Conductor cross-section	2.5 mm ²
With screening	no
With nail strap	no
With bolts	yes
Mounting type	Cavity wall
Nominal cross-section, max.	2.5 mm ²
Nominal cross-section, min.	1.5 mm ²
Sealable	no
Pipe entries Ø 20 mm	1
Impact-resistant	no
Protection rating	IP30
Support	Without
Airtight	no
Rated voltage	400 V