

# Technical data sheet

## Sheet steel flat angle cover, 50 mm system opening

Item number: 6279990



Sheet steel flat angle cover for 50 mm system opening.



St Steel

### Master data

Item number	6279990
Type	GS-OT50FRW
Description 1	Cover
Description 2	for flat angle, System 50
Manufacturer	OBO
Dimension	12x45x400
Colour	Pure white; RAL 9010
Material	Steel
Smallest sales unit	1
Unit of quantity	Piece
Weight	34.4 kg
Weight unit	kg/100 pc.

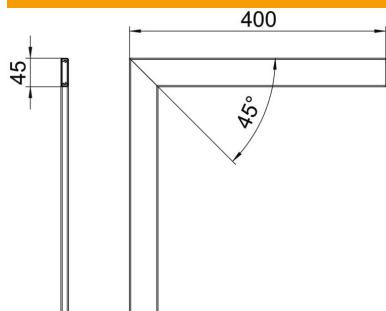
# Technical data sheet

## Sheet steel flat angle cover, 50 mm system opening

Item number: 6279990



### Dimensions



Length	400 mm
Width	45 mm
Height	12 mm

### Technical data

Version for	Smooth
Halogen-free	yes
Cover mounting type	Internal
Protection rating	IP30
Protective film	yes
Protection rating IK code	IK10
Permitted temperature range, max.	60 °C
Permitted temperature range, min.	-25 °C