

Technical data sheet

Flat angle, asymmetrical, rising, double, for device installation trunking Rapid 80 type GS-D70170

Item number: 6278220



Flat angle, rising, for changing the direction of the GS device installation trunking.



St Steel

Master data

Item number	6278220
Type	GS-DFS70170RW
Description 1	Flat angle
Description 2	rising asymmetrical
Manufacturer	OBO
Dimension	70x170x300
Colour	Pure white; RAL 9010
Material	Steel
Smallest sales unit	1
Unit of quantity	Piece
Weight	180 kg
Weight unit	kg/100 pc.

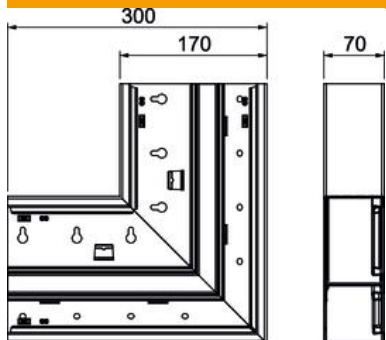
Technical data sheet

Flat angle, asymmetrical, rising, double, for device installation trunking Rapid 80 type GS-D70170

Item number: 6278220



Dimensions



Length	300 mm
Width	170 mm
Height	70 mm

Technical data

Number of covers	2
Version for	Base
for duct width	170 mm
for trunking height	70 mm
Halogen-free	yes
Cable retaining clip	no
Duct connector	no
Cover mounting type	Internal
Mounting perforation in base	yes
Cover width	76.5 mm
Cover width 2	45 mm
Change of direction	Vertical rising
Protection rating	IP30
Protective film	yes
Protection rating IK code	IK10
Symmetrical	no
Permitted temperature range, max.	60 °C
Permitted temperature range, min.	-25 °C
Angle range, min.	90 mm