

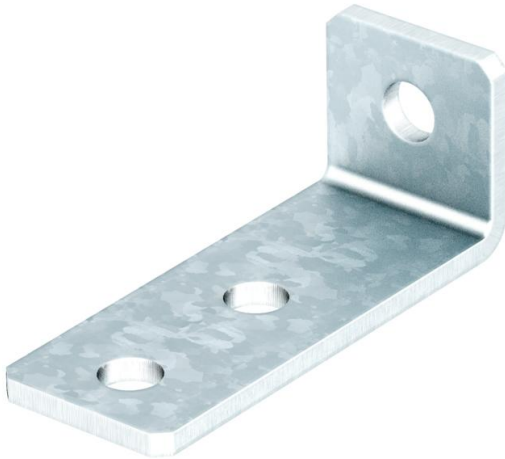
# Technical data sheet

## Mounting bracket, 90° with 3 holes FT

Item number: 1124661



Mounting bracket with three holes to connect profile rails 41 x 41 mm and 41 x 21 mm at an angle of 90°.



CE

**St** Steel

**FT** Hot-dip galvanised

### Master data

Item number	1124661
Type	GMS 3 VW 90 FT
Description 1	Connection bracket
Description 2	90°, with 3 holes
Manufacturer	OBO
Dimension	105x53x40x5
Material	Steel
Surface	Hot-dip galvanised
Surface standard	DIN EN ISO 1461
Smallest sales unit	10
Unit of quantity	Piece
Weight	25.91 kg
Weight unit	kg/100 pc.

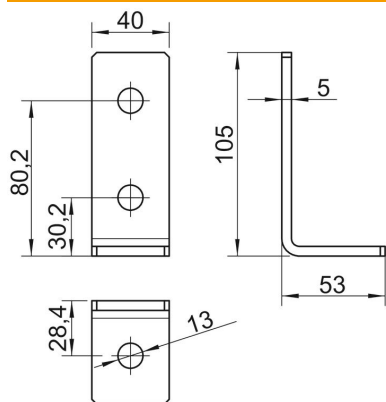
# Technical data sheet

## Mounting bracket, 90° with 3 holes FT

Item number: 1124661



### Dimensions



Length	105 mm
Width	40 mm
Height	53 mm

### Technical data

Version for	90° angle
Version for	Bracket
Suitable for profile shapes	C profile
Hole size	13 mm
Material thickness	5 mm
With screw accessories	no
Rustproof steel, pickled	no