

Technical data sheet

Connection plate, L-shaped A4

Item number: 1124733



Connection plate with three holes for angled connection of profile rails 41 x 41 mm and 41 x 21 mm.



A4 Stainless steel

2B Bright, treated

Master data

Item number	1124733
Type	GMS 3 VP L A4
Description 1	Connection plate
Description 2	L shape
Manufacturer	OBO
Dimension	90x90x40x4
Material	Stainless steel
Surface	Bright, treated
Surface standard	
Smallest sales unit	10
Unit of quantity	Piece
Weight	15.9 kg
Weight unit	kg/100 pc.

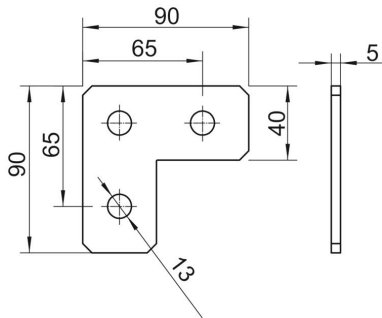
Technical data sheet

Connection plate, L-shaped A4

Item number: 1124733



Dimensions



Length	90 mm
Width	40 mm
Height	4 mm

Technical data

Version for	With continuous perforation 13 mm
Version for	Bracket
Suitable for profile shapes	C profile
Hole size	13 mm
Material thickness	4 mm
With screw accessories	no
Rustproof steel, pickled	no