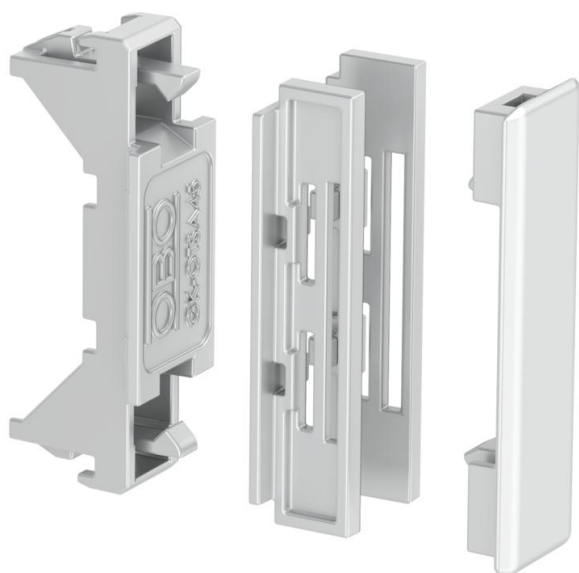


Technical data sheet

Joint cover

Item number: 6113034



Joint cover for the cover of the Rapid 45-2 device installation trunking to hide cut edges and provide a tidy connection to installed Modul 45® devices.



Polycarbonate/Acrylnitrile-butadiene-styrene

Master data

Item number	6113034
Type	GK-OTSA45AL
Description 1	Joint cover
Description 2	for Rapid 45-2 cover
Manufacturer	OBO
Dimension	48x20x20
Colour	Aluminium
Material	Polycarbonate/Acrylnitrile-butadiene-styrene
Smallest sales unit	1
Unit of quantity	Piece
Weight	0.55 kg
Weight unit	kg/100 pc.

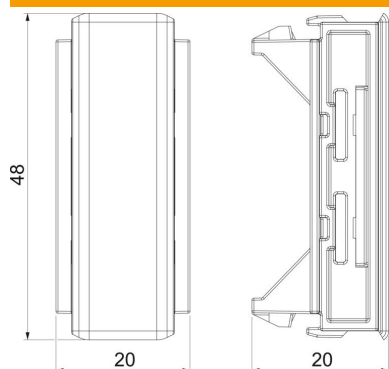
Technical data sheet

Joint cover

Item number: 6113034



Dimensions



Length	20 mm
Width	48 mm
Height	20 mm

Technical data

Version for	Cover cut lamination
Fastening type	Lockable
Shape	Symmetrical
for trunking height	53 mm
Halogen-free	yes
Cover width	45 mm
Protection rating	IP40
Protection rating IK code	IK08
Permitted temperature range, max.	60 °C
Permitted temperature range, min.	-15 °C