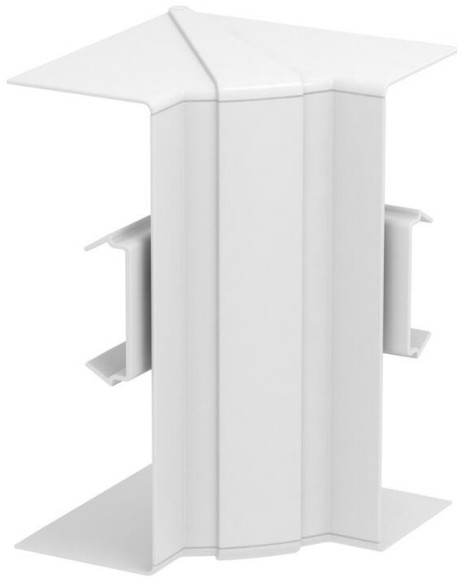


# Technical data sheet

Internal corner cover, for device installation trunking Rapid 80 type 70210

Item number: 6273940



Internal corner cover made of halogen-free PC/ABS for changing the direction of Rapid 80 device installation trunking of the GK, GKH GS and GA systems. The fittings can be variably adjusted between 85° and 95° and can be used in symmetrical and asymmetrical trunking.



Polycarbonate/Acrylnitrile-butadiene-styrene

## Master data

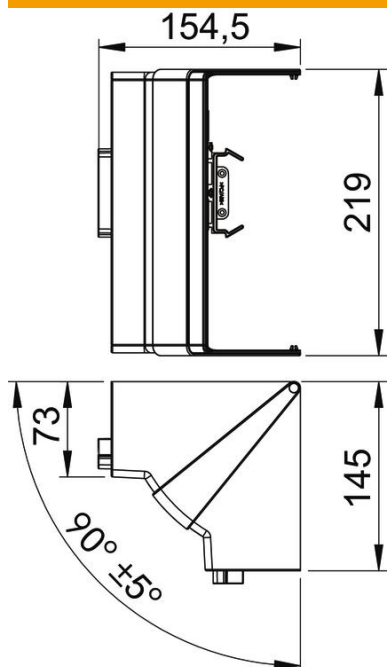
|                     |  |
|---------------------|--|
| Item number         | 6273940                                      |
| Type                | GK-IH70210RW                                 |
| Description 1       | Internal corner                              |
| Description 2       | variable                                     |
| Manufacturer        | OBO  |
| Dimension           | 70x210mm                                     |
| Colour              | Pure white; RAL 9010                         |
| Material            | Polycarbonate/Acrylnitrile-butadiene-styrene |
| Smallest sales unit | 1  |
| Unit of quantity    | Piece  |
| Weight              | 16.8 kg                                      |
| Weight unit         | kg/100 pc.                                   |

# Technical data sheet

Internal corner cover, for device installation trunking Rapid  
80 type 70210  
Item number: 6273940



## Dimensions



|        |        |
|--------|--------|
| Length | 145 mm |
| Width  | 219 mm |
| Height | 70 mm  |

## Technical data

|                                   |              |
|-----------------------------------|--------------|
| Number of covers                  | 1            |
| Version for                       | Hood fitting |
| Shape                             | Symmetrical  |
| Halogen-free                      | yes          |
| Cable retaining clip              | no           |
| Duct connector                    | no           |
| Cover mounting type               | Cross-over   |
| Mounting perforation in base      | no           |
| Cover width                       | 0 mm         |
| Cover width 2                     | 0 mm         |
| Cover width 3                     | 0 mm         |
| Protection rating                 | IP30         |
| Protective film                   | no           |
| Protection rating IK code         | IK08         |
| Permitted temperature range, max. | 60 °C        |
| Permitted temperature range, min. | -15 °C       |
| Angle range, max.                 | 95 mm        |
| Angle range, min.                 | 85 mm        |