

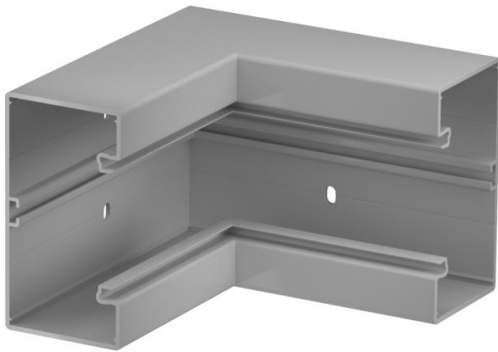
# Technical data sheet

Internal corner, for device installation trunking Rapid 80 type GK-70130

Item number: 6274546



Internal corner for changing the direction of the GK device installation trunking.



**PVC** Polyvinylchloride

## Master data

Item number	6274546
Type	GK-I70130GR
Description 1	Internal corner
Manufacturer	OBO
Dimension	70x130mm
Colour	Stone grey; RAL 7030
Material	Polyvinylchloride
Smallest sales unit	1
Unit of quantity	Piece
Weight	110 kg
Weight unit	kg/100 pc.

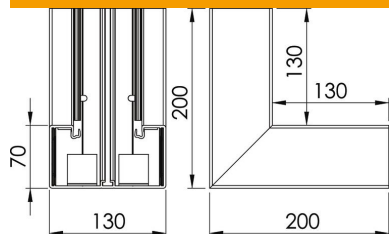
# Technical data sheet

Internal corner, for device installation trunking Rapid 80 type GK-70130

Item number: 6274546



## Dimensions



Width	130 mm
Height	70 mm

## Technical data

Number of covers	1
Version for	Base
Shape	Symmetrical
Halogen-free	no
Cable retaining clip	no
Duct connector	no
Cover mounting type	Internal
Mounting perforation in base	yes
Cover width	76.5 mm
Cover width 2	0 mm
Cover width 3	0 mm
Protection rating	IP30
Protective film	yes
Protection rating IK code	IK08
Permitted temperature range, max.	60 °C
Permitted temperature range, min.	-15 °C
Angle range, max.	90 mm
Angle range, min.	90 mm