

Technical data sheet

External corner, for device installation trunking Rapid 45-2
type GK-53100

Item number: 6113040



90° fixed external corner for changing the direction of Rapid 45-2 device installation trunking.



PVC Polyvinylchloride

Master data

Item number	6113040
Type	GK-AS53100RW
Description 1	External corner
Description 2	rigid form
Manufacturer	OBO
Dimension	190x190x100
Colour	Pure white; RAL 9010
Material	Polyvinylchloride
Smallest sales unit	1
Unit of quantity	Piece
Weight	40.4 kg
Weight unit	kg/100 pc.

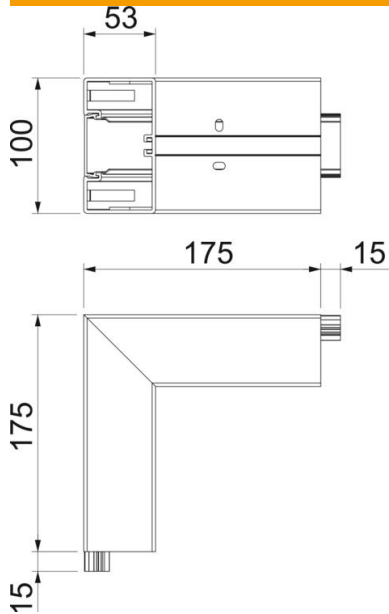
Technical data sheet

External corner, for device installation trunking Rapid 45-2
type GK-53100

Item number: 6113040



Dimensions



Length	175 mm
Width	100 mm
Height	53 mm

Technical data

Number of covers	1
Version for	Base and cover
for duct width	100 mm
for trunking height	53 mm
Halogen-free	no
Cable retaining clip	no
Duct connector	no
Cover mounting type	Internal
Mounting perforation in base	yes
Cover width	45 mm
Cover width 2	0 mm
Cover width 3	0 mm
Protection rating	IP40
Protective film	yes
Protection rating IK code	IK08
Symmetrical	yes
Permitted temperature range, max.	60 °C
Permitted temperature range, min.	-15 °C
Angle range, max.	90 mm
Angle range, min.	90 mm