

# Technical data sheet

## GAD design device installation trunking

Item number: 6115775



Base to create design device installation trunking of the GAD series. 45 mm system opening for acceptance of Modul 45 switch and connection devices and appropriate PVC and aluminium covers of the Rapid 45 series. The trunking base can be completed with trunking covers in the "Swing", "Soft" or "Style" design. The GAD OTA cover adapters are essential and must be planned on the trunking section with a max. spacing of 50 cm. A GAD OTD spacer must be placed between the trunking covers. In the as-delivered state, the 45 mm system is closed off with a black trunking cover.



**Alu** Aluminium

**EL** Anodised

### Master data

Item number	6115775
Type	GAD UEL
Description 1	Design device installat. duct
Description 2	without cover
Manufacturer	OBO
Dimension	114x140x2000
Material	Aluminium
Surface	Anodised
Surface standard	
Smallest sales unit	2
Unit of quantity	Metre
Weight	292.75 kg
Weight unit	kg/100 m

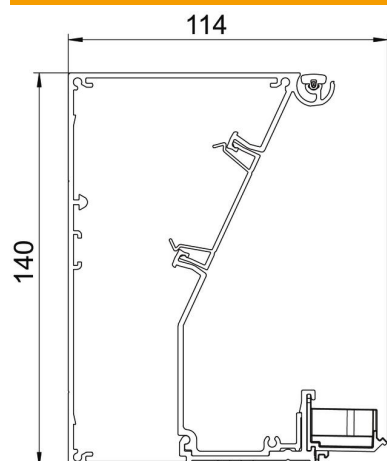
# Technical data sheet

## GAD design device installation trunking

Item number: 6115775



### Dimensions



Length	2,000 mm
Width	140 mm
Height	114 mm

### Technical data

Number of covers	1
Number of insertable partitions	1
Rear panel version (inner side)	Continuous C profile
Rectangular shape	no
Halogen-free	yes
Cable retaining clip	no
Duct connector	no
Cover mounting type	Internal
Mounting perforation in base	no
Usable cross-section	5880 mm <sup>2</sup>
Cover supplied	yes
Cover width	140 mm
Protective film	yes
Symmetrical	no